

LandCruiser 70





OH WHAT A FEELING

You'll feel it with every drive. In every twist and every turn. It's our unwavering commitment to move you, not only today, but well into tomorrow as we relentlessly reimagine the future of mobility.

With our eyes on the horizon, we're committed to creating a future where all of humankind is empowered with the freedom to move.

03	Exterior Design	11	Engine	17	Colours
06	Interior Design	12	Single-Cab	18	Accessories
07	Configurations	13	Double-Cab	21	Toyota Advantage
09	Interior grades	14	Wagon		
10	Safety	15	Troop Carrier		

Modern, purposeful with legendary strength.



The LandCruiser legend follows a path right back to 1957 and the Snowy Mountains Scheme. It was here the original LandCruiser forged its place in Australian folklore. Then through the years, as the work and demands got tougher,

LandCruiser got stronger. From the Bass Strait pipeline projects to the roughest rural, mining and construction sites, LandCruiser became the 'go to' vehicle you could always count on. Today, LandCruiser 70 Series are the uncompromising

workhorses of the LandCruiser line-up. Delivering legendary strength combined with muscled-up looks, stacks of grunt and a truckload of impressive features and comforts inside.

A tough, work hardened physique.



The rugged good looks of the LandCruiser 70 Series are more than just skin deep. The tough steel body is built upon a full steel chassis to provide a strong stable platform.

Not only is the wide body design suitably muscular with real on-road presence, it also accommodates an awesome engine up front. And the A-pillar mounted snorkel helps your engine breathe better, particularly in dusty conditions.

That large, impressive looking front bumper is purposely designed to give a great approach angle, so you can maximise clearance when lumbering over tough terrain.

And there's plenty of glass area to maximise visibility and come nightfall, powerful halogen lights help show the way ahead.



Shaping up to the challenge



Regardless of the LandCruiser 70 you choose, you'll have a vehicle purpose built from the ground up to get stuck into the rough stuff.

The practical WorkMate in the Single-Cab and Double-Cab Cab-Chassis models, the Wagon and the Troop Carrier, is fitted with a black front bumper, radiator grille and mirrors.

16" alloy wheels come as standard on the GX and GXL Single-Cab, GXL Double-Cab Cab-Chassis and GXL Wagon grades.

All GXL models except the Troop Carrier feature over-fender flares and front wide mudguards as well as central locking. A chrome grille, roof drip moulding and bumper are all standard on

the GXL Single-Cab, Double-Cab Cab-Chassis, Wagon and the Troop Carrier models. These models, as well as WorkMate grades, also feature chrome door handles.

Comfort right up to the task



Whether you're doing a long haul behind the wheel or long hours on the tools, the interior features and comforts in LandCruiser 70 will help lighten the load.

The engine immobiliser is standard and helps ensure no-one drives your LandCruiser 70 without the nod from you. The lockable glove

box also helps keep your valuables in place.

The standard audio system is controlled by a 6.1" colour touchscreen display with AM/FM tuner, USB input,¹ CD player with Bluetooth^{®1,2} connectivity to keep the music working overtime. The touchscreen display also features satellite navigation with SUNA traffic channel.^{3,4}

In the GXL, you'll also have the convenience of power windows and remote central locking.

Built to work your way



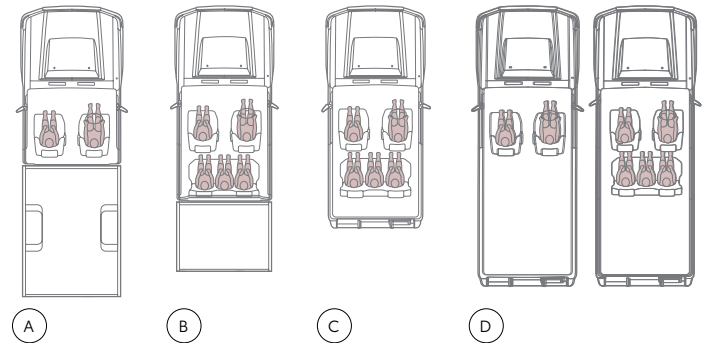
With a trusty beast that goes almost anywhere, does almost anything, you'll also appreciate the flexibility to load it the way you need. Across the LandCruiser 70 Series, you'll find versatile seating and cabin arrangements that are designed to handle the demands of many different jobs and situations.

In the Double-Cab Cab-Chassis and Wagon models, you'll have enough room to seat five adults and throw in their gear as well as the dog. And when you need to haul the whole crew up to the coalface, Troop Carriers can carry two or five people.

Plus the wide opening rear doors on the Wagon and Troop Carrier make it a breeze to load people and heavy gear.



Wagon GXL model shown



A Single-Cab Cab-Chassis – GXL and GX/WorkMate

B Double-Cab Cab-Chassis – GXL/WorkMate

C Five Seat Wagon – GXL/WorkMate

D Two Seat WorkMate and Five Seat GXL Troop Carrier

Images shown are for illustration purposes only. For full dimensions of the vehicle, please refer to toyota.com.au/landcruiser-70 for spec table.



Hardened outside, welcoming within.



Even when you're out battling the toughest jobs and terrain, inside you'll find LandCruiser 70 delivers the goods by combining functionality with comfort, as well as being equipped with a host of standard features.

The vinyl seating and vinyl flooring can handle dust and mud and wipe down fast when the rough stuff is done. On the GXL you'll enjoy the extra comfort of fabric seat trim and carpet flooring.⁵ Whichever way you go, you'll have the luxury of seats offering deep cushioning to help soak up the bumps and reduce fatigue on long hard days.



A GXL Double-Cab Cab-Chassis

B GXL Wagon shown – Image shown for illustrative purposes only. Fabric may vary.

Tough with a tender heart



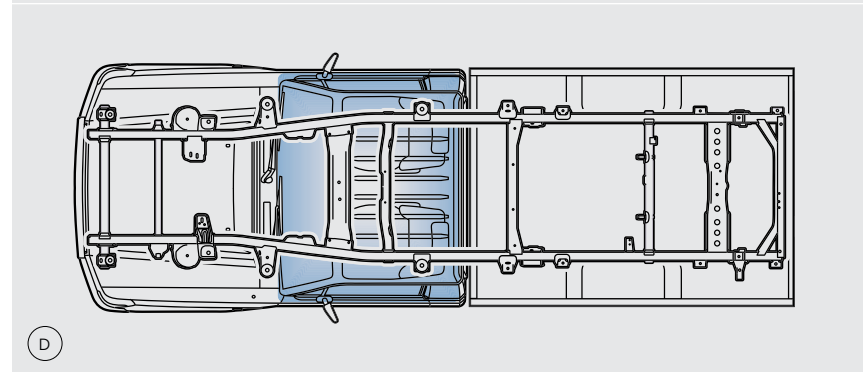
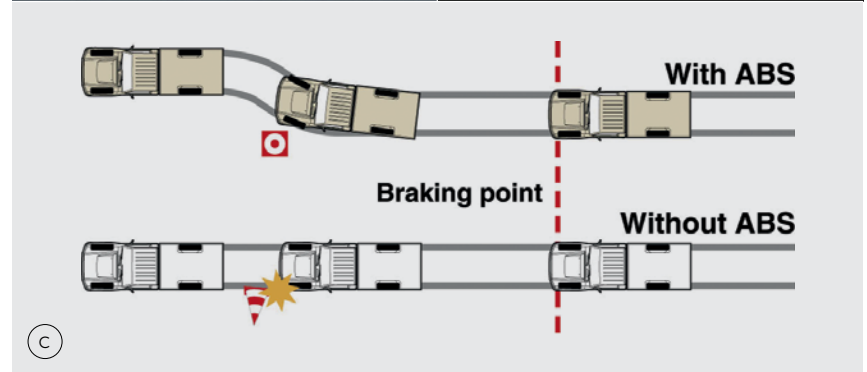
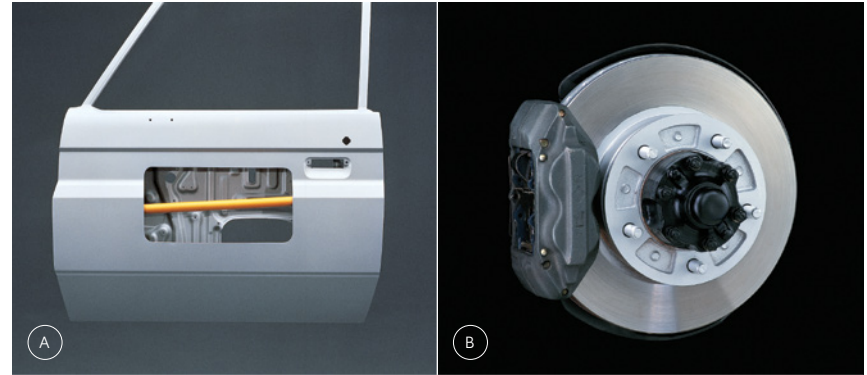
LandCruiser 70 Series boasts all the grunt and muscle you need to get into uncharted territory. But it also packs in a heap of advanced features to help get you safely home again.

If called upon, the big, powerful ventilated disc brakes all round are ready to slow things down in a hurry. Plus an Anti-lock Braking System (ABS) is standard across the range.

The collapsible steering column has been designed to help provide protection in real life emergency situations, whilst the side intrusion beams help protect you from side-on collisions. These no nonsense measures are further enhanced by driver and front passenger SRS airbags, as well as Emergency Locking Retractor (ELR) seatbelts for the outer positions in the front cabin that also come standard across the range.

Not forgetting the little ones, Child Restraint System (CRS) upper tether anchors allow the easy fitting of child seats in the five door Wagons.

- A Side impact beams
- B Disc brakes
- C Anti-lock Braking System (ABS)
- D Rigid frame and body structure



Real power, no sweat.



A real workhorse needs a big heart, and it'd be hard to find anything with more get-up and go than the LandCruiser 70 Series.

The 4.5 litre V8 turbo diesel engine delivers enough grunt to help make tough jobs easy. With 151kW of power coming on strong at just 3,400rpm, and a massive 430Nm of torque all the way from 1,200-3,200rpm, you get quick acceleration, big pulling-power on steep hills and muscle to haul heavy loads.

The variable vane turbocharger also provides greater response at lower engine speeds and with the fuel efficiency of just 10.7 litres/100km⁸ for the Single-Cab

Cab-Chassis and Double-Cab Cab-Chassis, Troop Carrier and Wagon, you're sure to go a long way. Especially with a 180 litre fuel tank available on the Troop Carrier, and the 130 litre tank on all other models.

Plus there's the latest fuel injection and technology including Exhaust Gas Recirculation (EGR) to help LandCruiser 70 meet the Euro 5 emissions standards.

Then when it comes to harnessing such impressive power, the proven 5-speed manual transmission delivers smoothly across high and low range, even when faced with testing terrain and carrying some heavy loads.



Single-Cab Cab-Chassis



WorkMate

- 4.5 litre V8 turbo diesel engine
- 130 litre fuel tank
- 5-speed manual transmission
- 16" steel wheels
- Steel side steps
- Black front bumper, radiator grille and exterior mirrors
- Tilt and telescopic steering column
- Engine immobiliser
- Cruise control

- Active Traction Control (A-TRC)
- Anti-lock Braking System (ABS)
- 2-speaker single CD audio with manual antenna, Bluetooth®^{1,2} and MP3 compatibility
- 6.1" colour touchscreen display
- Satellite navigation with SUNA traffic channel^{3,4}
- Toyota Link¹
- 12V accessory connector – x 1
- USB charging port¹ – x 2

- USB multimedia input¹ – x 1
- All weather floor mats – front
- Vinyl floor covering
- Textured vinyl seats

GX – In addition to, or in replacement of, WorkMate features:

- 16" alloy wheels
- Over-fender flares
- Front mudguards – wide
- Differential locks – optional

GXL – In addition to, or in replacement of, GX features:

- Chrome painted front bumper
- Aluminium side steps
- Power windows
- Central locking/remote keyless entry
- Variable intermittent wipers
- Differential locks
- Carpet flooring
- Cloth seats
- Multi-function clock

Double-Cab Cab-Chassis



WorkMate

- 4.5 litre V8 turbo diesel engine
- 130 litre fuel tank
- 5-speed manual transmission
- 16" steel wheels
- Aluminium side steps
- Black front bumper, radiator grille and exterior mirrors
- Tilt and telescopic steering column
- Engine immobiliser
- Cruise control
- Active Traction Control (A-TRC)

- Anti-lock Braking System (ABS)
- 2-speaker single CD audio with manual antenna, Bluetooth®^{1,2} and MP3 compatibility
- 6.1" colour touchscreen display
- Satellite navigation with SUNA traffic channel^{3,4}
- Toyota Link¹
- 12V accessory connector – x 1
- USB charging port¹ – x 2
- USB multimedia input¹ – x 1
- All weather floor mats – front and rear
- Textured vinyl seats and vinyl floor covering

GXL – In addition to, or in replacement of, WorkMate features:

- 16" alloy wheels
- Over-fender flares
- Chrome and painted front bumper
- Front mudguards – wide
- Front fog lamps
- Multi-function clock
- Power windows
- Differential locks
- Central locking/remote keyless entry
- Variable intermittent wipers
- Carpet flooring
- Cloth seats

Wagon



WorkMate

- 4.5 litre V8 turbo diesel engine
- 130 litre fuel tank
- 5-speed manual transmission
- 16" steel wheels
- Aluminium side steps
- Black front and rear bumper, radiator grille and exterior mirrors
- Tilt and telescopic steering column
- Engine immobiliser
- Cruise control

- Front and rear mudguards
- Active Traction Control (A-TRC)
- Anti-lock Braking System (ABS)
- 4-speaker single CD audio with manual antenna, Bluetooth^{®1,2} and MP3 compatibility
- 6.1" colour touchscreen display
- Satellite navigation with SUNA traffic channel^{3,4}
- Toyota Link¹
- 12V accessory connector – x 1

- USB charging port¹ – x 2
- USB multimedia input¹ – x 1
- All weather floor mats – front and rear
- Vinyl floor covering
- Textured vinyl seats
- Variable intermittent wipers

GXL – In addition to, or in replacement of, WorkMate features:

- 16" alloy wheels
- Over-fender flares

- Front mudguards – wide
- Chrome and painted front and rear bumpers
- Front fog lamps
- Multi-function clock
- Power windows
- Central locking/remote keyless entry
- Differential locks
- Carpet flooring
- Cloth seats

Troop Carrier



WorkMate

- 4.5 litre V8 turbo diesel engine
- 180 litre fuel tank
- 5-speed manual transmission
- 16" steel wheels
- Steel side steps
- Front and rear mudguards
- Black front and rear bumper, radiator grille and exterior mirrors
- Tilt and telescopic steering column
- Engine immobiliser

- Cruise control
- Active Traction Control (A-TRC)
- Anti-lock Braking System (ABS)
- 2-speaker single CD audio with manual antenna, Bluetooth^{®1,2} and MP3 compatibility
- 6.1" colour touchscreen display
- Satellite navigation with SUNA traffic channel^{3,4}
- 12V accessory connector – x 1
- USB charging port¹ – x 2

- USB multimedia input¹ – x 1
- All weather floor mats – front
- Vinyl floor covering
- Textured vinyl seats

GXL – In addition to, or in replacement of, WorkMate features:

- Chrome and painted front and rear bumpers
- Front fog lamps
- Aluminium side steps

- Multi-function clock
- Front power windows
- Central locking/remote keyless entry
- Variable intermittent wipers
- Differential locks
- 4 speakers
- Carpet flooring – rear vinyl
- Cloth seats



Single-Cab Cab-Chassis GXL model shown with optional Toyota Genuine tray body and under body tyre hanger – sold separately

Land your perfect colour

From the red centre, to the bush or down by the sea, the colours of Australia are wonderfully vibrant and varied. And so are the six knockout colours⁶ for LandCruiser 70 Series, ready for you to blend in or stand out from your chosen terrain.



○ French Vanilla 058



○ Silver Pearl⁷ 1F7



● Graphite⁷ 1G3



● Merlot Red⁷ 3Q3



● Sandy Taupe 4E9



● Midnight Blue 8H6

COLOUR AND TRIM GUIDE⁷

Model	Grade	Interior Seat Trim	French Vanilla	Silver Pearl ⁷	Graphite ⁷	Merlot Red ⁷	Sandy Taupe	Midnight Blue
Single-Cab Cab-Chassis	WorkMate	Grey vinyl (LF10)	●	●	●	●	●	●
	GX	Grey vinyl (LF10)	●	●	●	●	●	●
	GXL	Grey fabric (FJ10)	●	●	●	●	●	●
Double-Cab Cab-Chassis	WorkMate	Grey vinyl (LC10)	●	●	●	●	●	●
	GXL	Grey fabric (FF10)	●	●	●	●	●	●
Troop Carrier	WorkMate	Grey vinyl (LB10)	●				●	●
	GXL	Grey fabric (FD10)	●				●	●
Wagon	WorkMate	Grey vinyl (LE10)	●	●	●	●	●	●
	GXL	Grey fabric (FG10)	●	●	●	●	●	●

Accessories for every situation



Whether you're loading the tray at work, or towing your camper on the weekend, you can be sure that Toyota Genuine Accessories⁹ are designed to be the perfect fit for your LandCruiser 70.

Our development program ensures that the accessories are made to work with the vehicle as part of an integrated system, with many

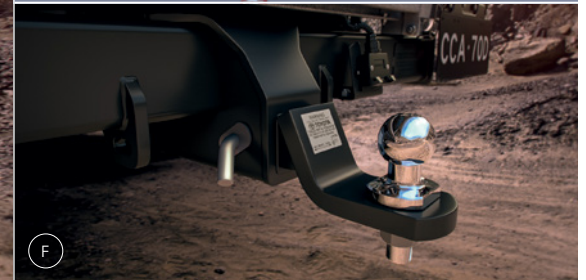
components developed years before vehicle launch. With an accessories range tested to perform in the toughest Australian conditions and backed by our Toyota Warranty,¹⁰ you can confidently kit up your vehicle to meet the demands of your lifestyle.

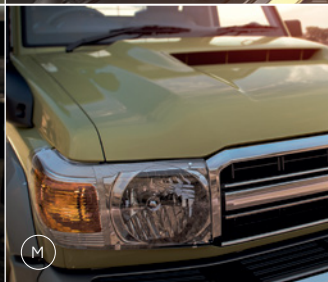
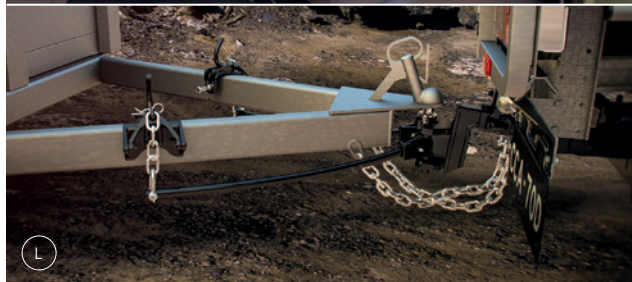
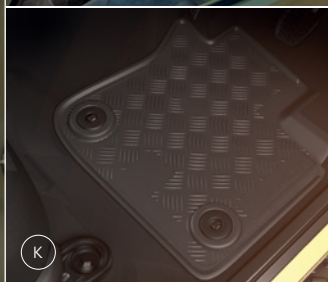
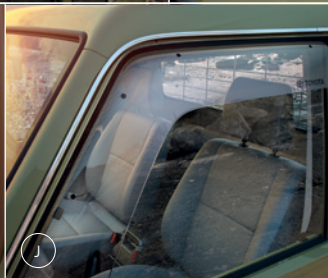
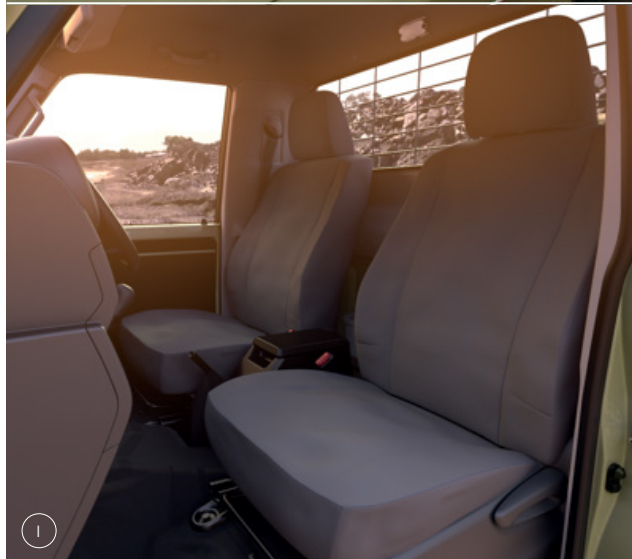
So, roll up your sleeves and make your LandCruiser 70 ready for anything with

Toyota Genuine Accessories.

To find out more, go to:
toyota.com.au/landcruiser-70/accessories

Single-Cab Cab-Chassis WorkMate model shown in French Vanilla accessorised with steel bullbar, heavy duty winch, side rails, bonnet protector, headlamp covers, front weathershields, tow bar, tow ball, trailer wiring harness and heavy duty steel tray. Accessories each sold separately.





- A Steel bullbar
- B Alloy bullbar
- C Sunvisor – unpainted
- D Side rails – Steel bullbar sold separately
- E Winch – lightweight synthetic rope winch shown
- F Tow bar, tow ball and trailer wiring harness – each sold separately
- G Alloy roof tray – roof racks sold separately
- H Heavy duty roof racks
- I Canvas seat covers
- J Front weathershields – each sold separately
- K All weather floor mats
- L Load Distribution Hitch (LDH) – Tow bar, tow ball and trailer wiring harness sold separately
- M Headlamp covers
- N Bonnet protector

The Toyota Advantage



When you join the Toyota family, you get so much more than a new car feeling. You get a lifetime of benefits keeping you moving now and well into the future.

Discover your Toyota lifetime of advantages at toyota.com.au

Discover the freedom of Toyota Access¹¹

Toyota Access puts you in complete control when buying a new car, with lower monthly repayments.¹² Drive out of the Dealership with a clear road ahead then drive back a few years later with more options at your disposal than ever before. Whatever stage you're at in life, Toyota Access puts you in the driver's seat with flexibility and assurance. To discover Toyota Access for yourself, visit toyota.com.au/access

Capped price servicing¹³

A new Toyota means you don't have to worry about unexpected service costs. Every Toyota comes with a low, capped price service cost for a set number of years/kilometres. Pay the same low capped price from one eligible logbook service to the next for up to 3 years or 60,000km, whichever occurs first (including Toyota Genuine parts, labour and fluids). For the full benefits, consult a Toyota Dealer or visit toyota.com.au/advantage

Toyota Warranty Advantage

Every new Toyota is built to exceptional standards, and from 1 January 2019, Toyota vehicles are backed by a 5-year/unlimited kilometre warranty.¹⁴ If your vehicle is properly serviced and maintained per its Warranty and Service Book, we'll extend your engine and driveline warranty for an additional 2 years,¹⁵ giving you peace of mind for years to come. For more information, visit toyota.com.au/owners/warranty

Finance to get you going

If you need a little help, Toyota Finance¹⁶ can offer you a wide range of vehicle financing options. With Toyota Finance, you'll have the peace of mind of dealing with one of Australia's leading vehicle finance corporations with over 30 years experience. And with a range of flexible products and services to suit almost every need and circumstance, Toyota Finance can help find the right package for you or your business.

Insurance options

Our Comprehensive Motor Vehicle insurance policy is packed with great benefits including; agreed value cover, new vehicle replacement if your Toyota is written off within the first 3 years, use of Toyota Genuine Parts on authorised repairs within manufacturer's warranty, and a Lifetime Repair Guarantee on repairs authorised by Toyota Insurance.¹⁷

Extend your peace of mind

Whether it's a flat tyre, lost keys or a flat battery, Toyota Extra Care Roadside Assist¹⁸ is never more than a phone call away. Available 24 hours a day, 7 days a week, our technicians are there to help you get back on the road.

Disclaimers and Notice

- 1 Compatibility and functionality varies depending on device.
- 2 Bluetooth® is a registered trademark of Bluetooth SIG, Inc.
- 3 Service varies based on vehicle location. See sunattraffic.com.au
- 4 Coverage dependent on vehicle location.
- 5 Troop Carrier and Wagon GXL also come standard with vinyl rear flooring.
- 6 Toyota Australia reserves the right to vary or discontinue the current interior and exterior colours, trims and colour/trim/model combinations. Colours and trims displayed are a guide only and may vary from actual colours due to printing/display process. See your Toyota Dealer to confirm availability when ordering your vehicle.
- 7 Paint featured is optional extra at additional cost.
- 8 Achieved in test conditions for comparison purposes only. Actual fuel consumption varies depending on driving conditions/style, vehicle condition, load and options/accessories fitted. Source: ADR81/02 combined (L/100km).
- 9 Toyota Genuine Accessories are not applicable to all models/grades. See your Toyota Dealer to confirm Accessories suitable for your vehicle. Toyota Australia uses its best endeavours to ensure material is accurate at the time of publishing. All information must be confirmed with your Toyota Dealer at the time of ordering, as specifications, applicability and availability may change over time. Colours displayed are a guide only and may vary from actual colours due to the printing/display process. Toyota Australia reserves the right to change and/or discontinue, without notice, prices, colours, materials, equipment and specifications. To the extent permitted by law, Toyota Australia will not be liable for any damage or loss incurred from relying on the information and images contained in this material. Consider the mass of your load and your selected accessories to ensure your vehicle will not exceed gross vehicle mass limits. Certain accessories when fitted may require removal of standard equipment, which may be retained by Toyota. Visit toyota.com.au/vehiclepayload
- 10 Toyota Genuine Parts/Accessories purchased at and fitted by a Toyota Dealer to a Toyota vehicle which was purchased on or after 01/01/2019, are warranted for the remainder of that vehicle's Toyota Warranty Advantage period, or 2yrs from installation (whichever is greater). Genuine Parts/Accessories purchased from, but not fitted by, a Toyota Dealer are warranted for 2yrs from date of purchase. See toyota.com.au for T&Cs. This warranty does not limit and may not necessarily exceed your rights under the Australian Consumer Law.
- 11 Terms, conditions, fees and charges apply. Toyota Access Guaranteed Future Value products are available to approved customers of Toyota Finance, a division of Toyota Finance Australia Limited ABN 48002 435 181, AFSL and Australian Credit Licence 392536.
- 12 Lower monthly repayments compared to a similar term with no Guaranteed Future Value (GFV) or equivalent balloon final payment. Total interest charges will be higher if a GFV or balloon final payment is selected.
- 13 Applies to standard scheduled logbook servicing (normal operating conditions). Excludes Government and Rental vehicles. For details see your Toyota Dealer or visit toyota.com.au/advantage
- 14 The standard Toyota Warranty Advantage period is 5yrs, with unlimited kms, from delivery. Excludes vehicles used for a commercial purpose, such as taxis, hire vehicles and vehicles transporting people or goods for payment including rideshare. The commercial vehicle Toyota Warranty Advantage period is 5 years from delivery or 160,000kms (whichever occurs first). See toyota.com.au/owners/warranty or your vehicle's Warranty and Service Book for T&Cs. This warranty does not limit and may not necessarily exceed your rights under the Australian Consumer Law.
- 15 The Toyota Warranty Advantage Extended Engine and Driveline coverage is for 7yrs from delivery, provided your vehicle is properly serviced and maintained per its Warranty and Service Book. Excludes vehicles used for a commercial purpose, such as taxis, hire vehicles and vehicles transporting people or goods for payment including rideshare. See toyota.com.au/owners/warranty for details. This warranty does not limit and may not necessarily exceed your rights under the Australian Consumer Law.
- 16 Approved applicants only. Terms and conditions apply. Toyota Finance is a division of Toyota Finance Australia Limited ABN 48 002 435 181, AFSL and Australian Credit Licence 392536.
- 17 Terms and conditions apply. This advice is general in nature and does not take into account your objectives, financial situation or needs. Before making a decision to purchase any of the insurance products you should consider the appropriateness of the advice taking into account your own objectives, financial situation and needs and refer to the current PDS for the relevant product available from participating Dealers, via our website at toyota.com.au/insurance or by calling 137 200. Toyota Insurance purchased in a dealership or via the Toyota Insurance National Customer Solutions Centre is issued by Toyota Finance Australia Limited ABN 48 002 435 181, AFSL and Australian Credit Licence 392536. The insurer is Aioi Nissay Dowa Insurance Company Australia Pty Ltd ABN 11 132 524 282, AFSL 443540 (Adica). If Toyota Insurance is purchased online, the issuer and insurer is Adica.
- 18 Toyota Roadside Assist is administered by Toyota Finance, a division of Toyota Finance Australia Limited ABN 48 002 435 181, AFSL and Australian Credit Licence 392536.

IMPORTANT NOTICE – PLEASE READ:

Toyota Australia uses its best endeavours to ensure material is accurate at the time of publishing. All information must be confirmed with your Toyota Dealer at the time of ordering, as specifications, applicability and availability may change over time. Colours depicted are a guide only and may vary from actual colours due to the printing/display process. Toyota Australia reserves the right to change and/or discontinue, without notice, models, prices, colours, materials, equipment, specifications. To the extent permitted by law, Toyota Australia will not be liable for any damage or loss incurred from relying

on the information and images contained in this material. Distributed nationally (other than in Western Australia) by Toyota Motor Corporation Australia Limited ABN 64 009 686 097. Material distributed in Western Australia by or on behalf of Prestige Motors Pty Ltd (for vehicles) and by Eastpoint Pty Ltd (for parts/accessories). Toyota Australia makes no warranties regarding (and will not be liable for) accuracy of materials distributed in Western Australia. PROOF HQ: T2021-107290. GTO-005722. VERSION: JANUARY 2022.