

GR Supra



A man in a black racing suit with white accents and a headset is jumping joyfully in the air. He is in a pit lane at night, illuminated by blue and white lights. In the background, there are pit garages, some with 'GR TOYOTA GAZOO Racing' branding, and other people working. The overall atmosphere is one of excitement and triumph.

OH WHAT A FEELING

You'll feel it with every drive. In every twist and every turn. It's our unwavering commitment to move you, not only today, but well into tomorrow as we relentlessly reimagine the future of mobility. With our eyes on the horizon, we're committed to creating a future where all of humankind is empowered with the freedom to move.

03 Vision
04 History
08 Introduction
09 Performance
13 Race pedigree

14 Design philosophy
15 Dynamic engineering
23 Engine
28 Interior design
35 GR Supra GT

36 GR Supra GTS
37 Colours and trim
38 Toyota Advantage

"I have fond memories of converting my friend's MR2 to full Gymkhana-spec in my university days. I did just about everything you could imagine through all kinds of trial and error, until there was virtually nothing left unchanged. Looking back, it was probably around that time when I realised how much fun it can be to drive a car, and even to customise it to suit yourself. Thinking about cars naturally excited me, and I would get so absorbed in it that I simply forgot about time. In 1987 I joined Toyota, and my passion for performance went to the next level. The GR Supra is all about the feeling. We set out to create a pure sports car that would attain the ultimate fun driving experience. Rather than only working toward specs such as horsepower and circuit lap times, we emphasised sensitivity performance, such as the degree to which driving could be felt to be fun, with the car and driver becoming one."

*Supra
Tetsuya Tada*

Tetsuya Tada



Born to perform

The high performance heritage coursing through every GR Supra can be traced back to the legendary Toyota 2000GT. A vehicle before its time that established Toyota's reputation for excellence then inspired a fresh generation of exceptional vehicles. From the grand touring A40 Celica, ground breaking

A60 to the turbo charged A70, all engineered from the ground-up to perform. Then followed the iconic A80 Supra, now regarded as a timeless sports car. You'll find essential elements from each of these classics represented in the GR Supra pedigree for pure performance and style.





SUPRA

**“The stability control,
the traction control,
they’re perfect.”**

Fernando Alonso







One of a kind



GR Supra effortlessly blends exceptional on-road performance with the proven DNA of a Toyota sports racing vehicle. Every element has been created to deliver an incredible driving experience from within, and evoke a head turning presence outside. With its sleek, deep exterior lines, GR Supra is equally at home on urban streets as it is being driven to the limit on the track.

Focused on fast

One look tells you Toyota's leading edge racing technology has played a major role in sculpting GR Supra's aerodynamic shape. The result is outstanding straight line stability as well as accurate G-force feedback and control, helping you to focus more precisely when driving with intent through bends. With its lightweight body and perfectly balanced 50:50 weight distribution, you'll quickly find GR Supra incredibly agile yet reassuringly stable to drive.





“Woo-hoo!”

José María López
WEC Driver

Turns heads and corners

Every GR Supra has been carefully engineered to produce handling characteristics and capabilities that are second to none. Close attention has been placed on ensuring the correct balance to deliver the smoothest response and eliminate cornering disturbance, especially when powering through sharp and moderate curves. The high performance tyres have been specially matched and tuned to help provide genuine championship standard performance and on-road grip.



“We must start from the point
of loving cars even more.”

Akio Toyoda

President, Toyota Motor Corporation





Sleek style meets racing pedigree

.....

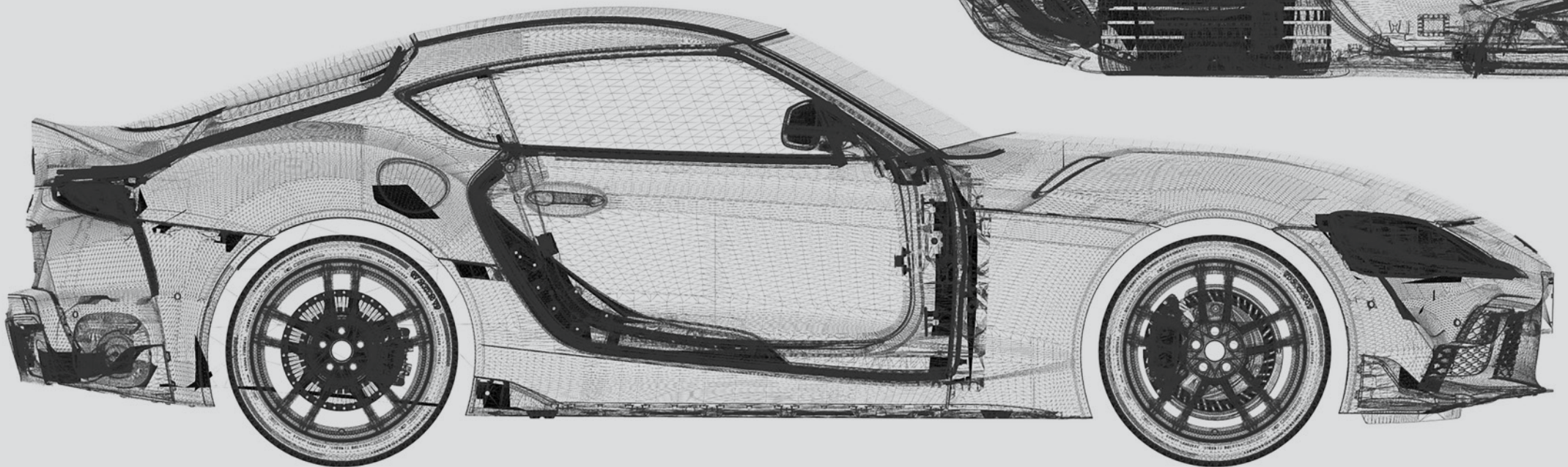
The GR Supra has been created without compromise. Its accented lines, aerodynamic edges and fine premium finishes not only look good, but also ensure this exceptional machine cuts a more streamlined and aggressive profile on each and every driving adventure.

Condensed extreme



GR Supra is focused purely on the driver. The perfectly sculptured exterior is as exciting to look at as it is to drive. The striking long nose evokes the classic front engine rear drive layout and flows effortlessly into a compact cabin that features minimal volume while maintaining generous interior space. Optimal weight balance has been achieved by placing the engine as far to the rear of the engine bay as possible. The short wheelbase, wide stance and large diameter tyres provide the 'Golden Ratio' to realise higher levels of handling performance that have been extensively track tested and tuned by TOYOTA GAZOO Racing.

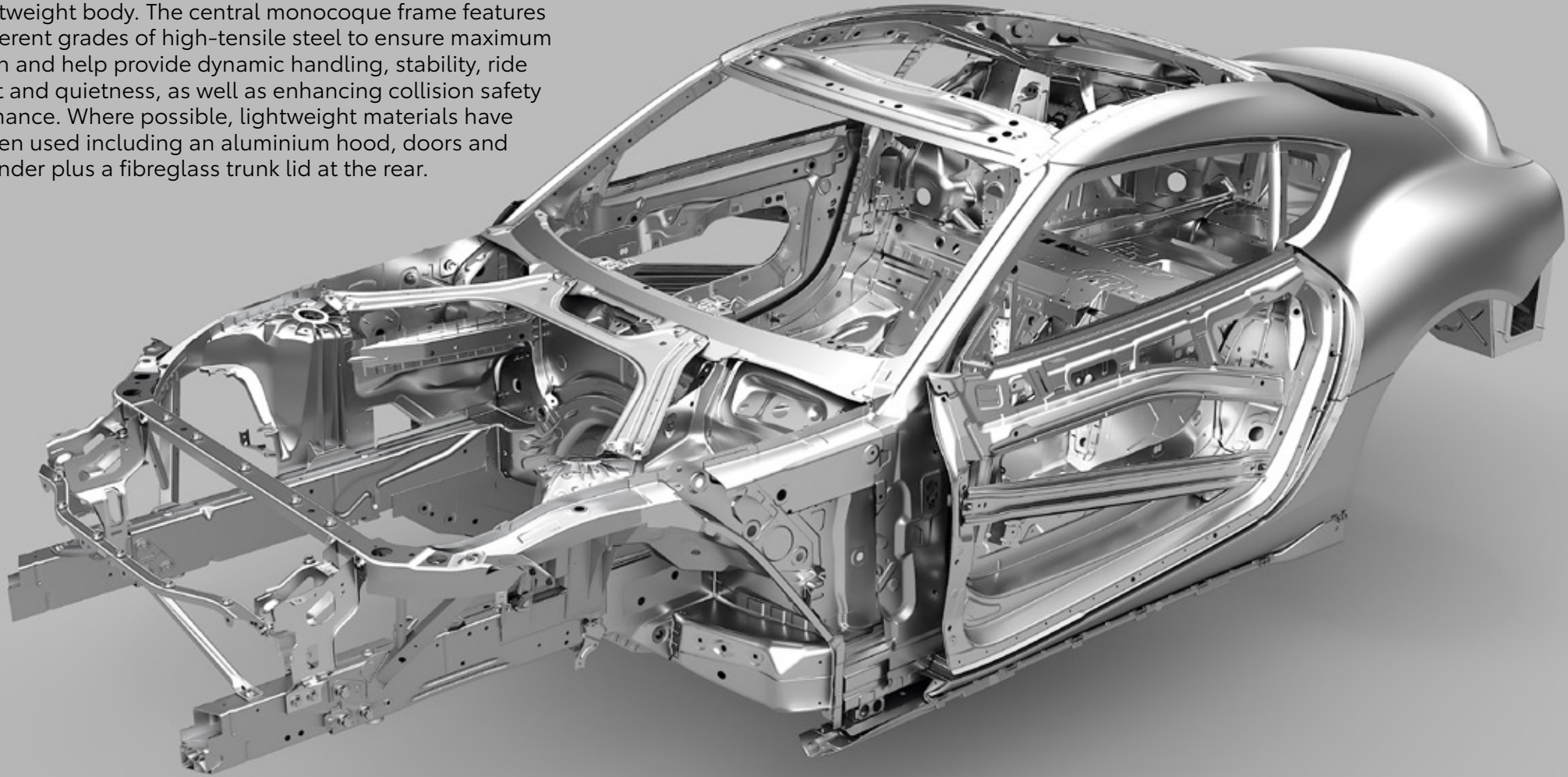
Quite simply, every part of GR Supra is designed to deliver pure driving pleasure.



Monocoque construction

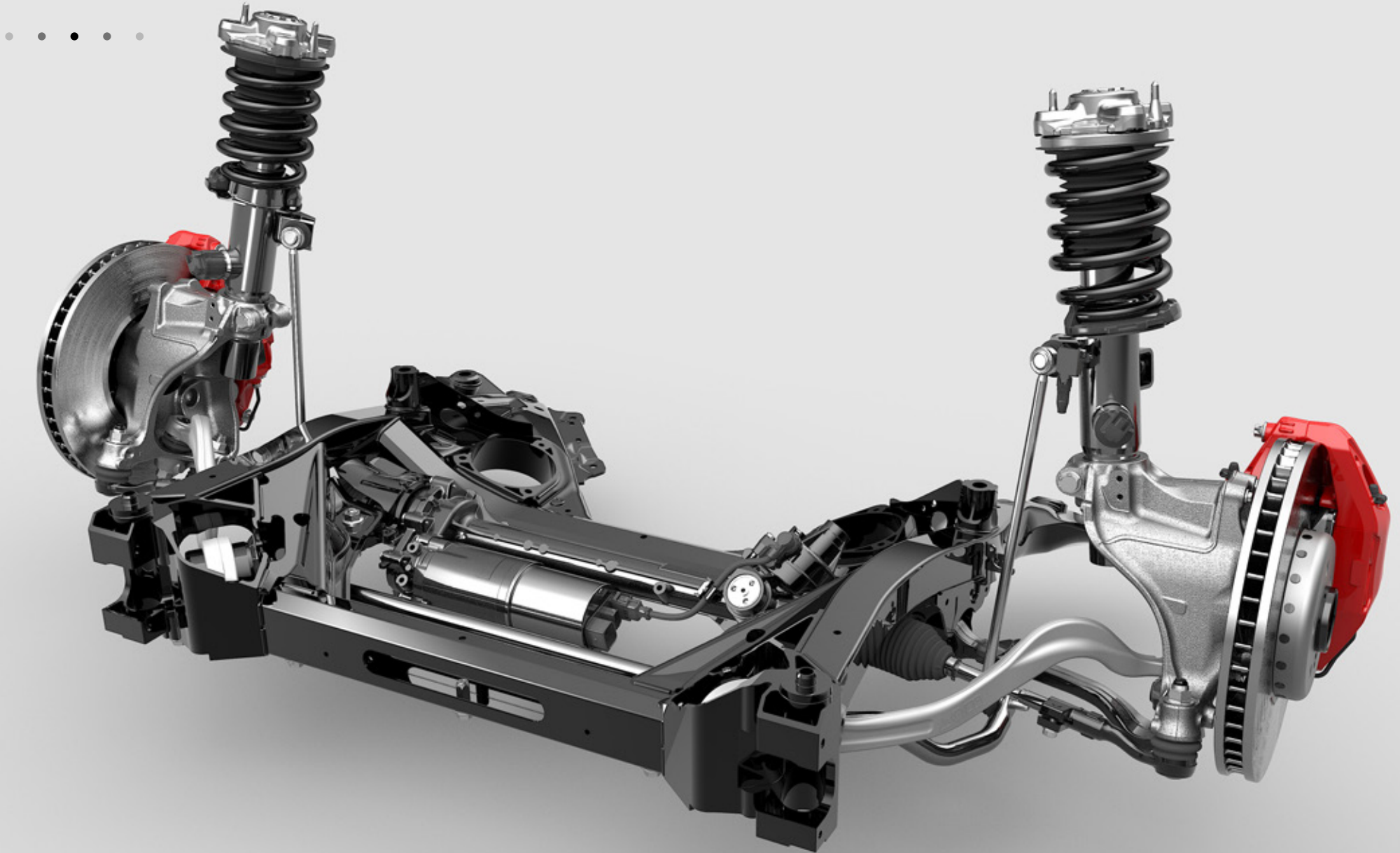
• • • • •

The latest in vehicle construction thinking and technology have been used to provide GR Supra with an incredibly rigid yet lightweight body. The central monocoque frame features five different grades of high-tensile steel to ensure maximum strength and help provide dynamic handling, stability, ride comfort and quietness, as well as enhancing collision safety performance. Where possible, lightweight materials have also been used including an aluminium hood, doors and front fender plus a fibreglass trunk lid at the rear.



Suspension that reads the road

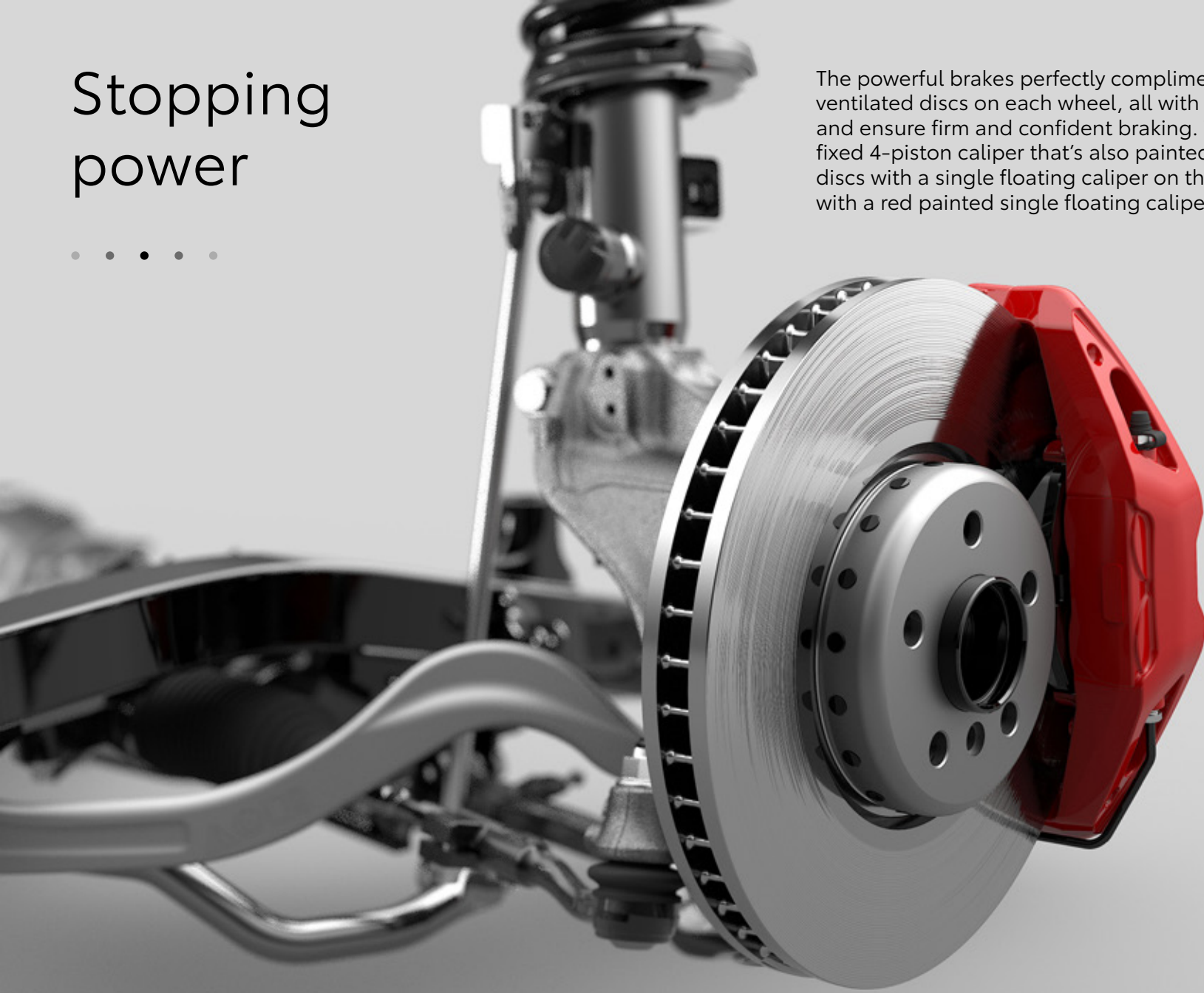
The double joint MacPherson strut suspension delivers enhanced driver feedback and response to provide excellent handling and stability. The cutting edge Adaptive Variable Suspension (AVS) uses sensors to continually monitor driving operation and road surface changes, then controls the damping force of the shock absorbers for improved response and ride comfort. You can choose from NORMAL mode for everyday driving, or select SPORT mode for a more agile driving experience.



Stopping power

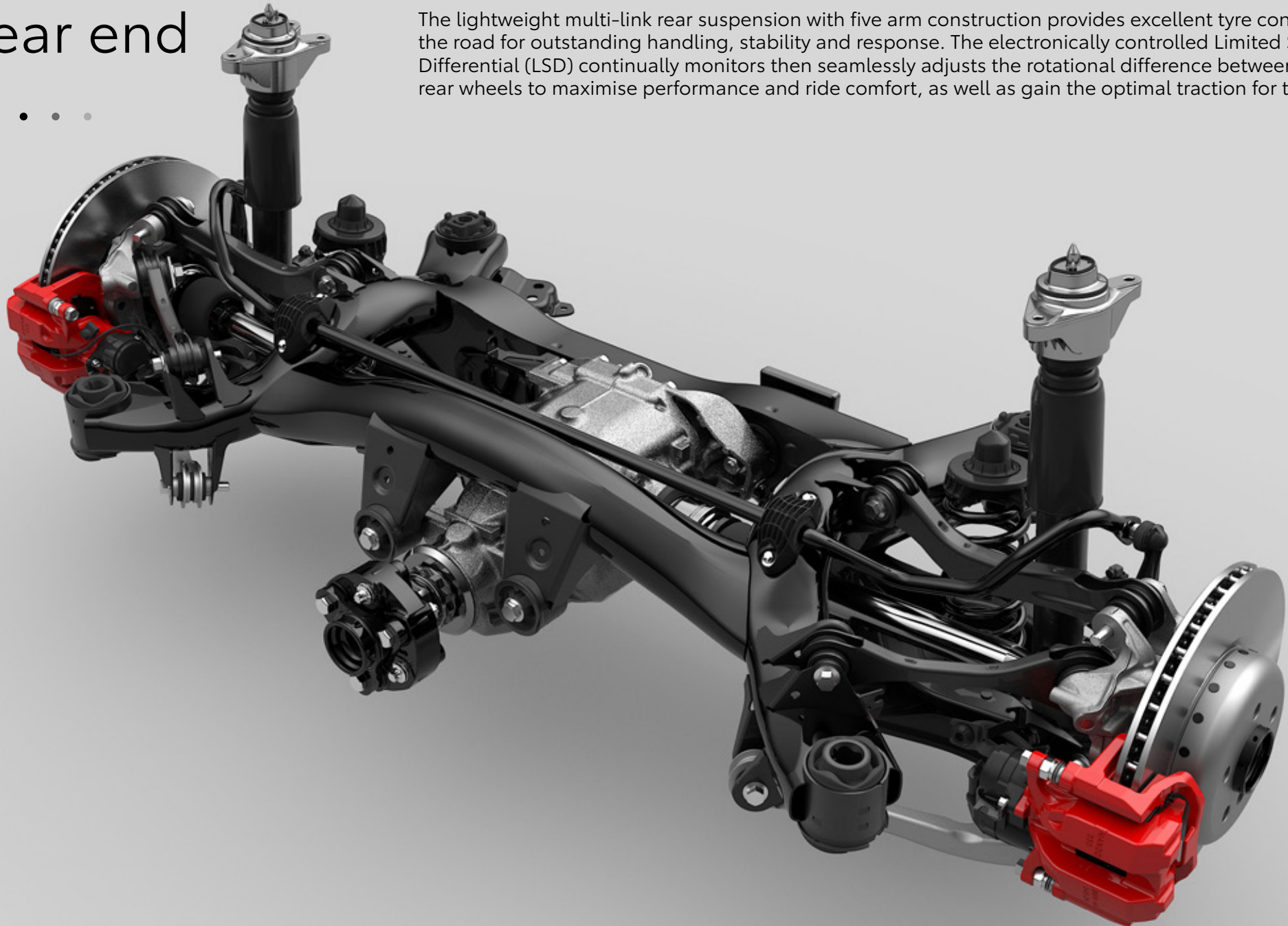


The powerful brakes perfectly compliment the GR Supra's performance with ventilated discs on each wheel, all with an aluminium cap to enhance cooling and ensure firm and confident braking. The 348mm front discs have a powerful fixed 4-piston caliper that's also painted red on GTS grade. The 330mm rear discs with a single floating caliper on the GT grade rise to 345mm on the GTS with a red painted single floating caliper.



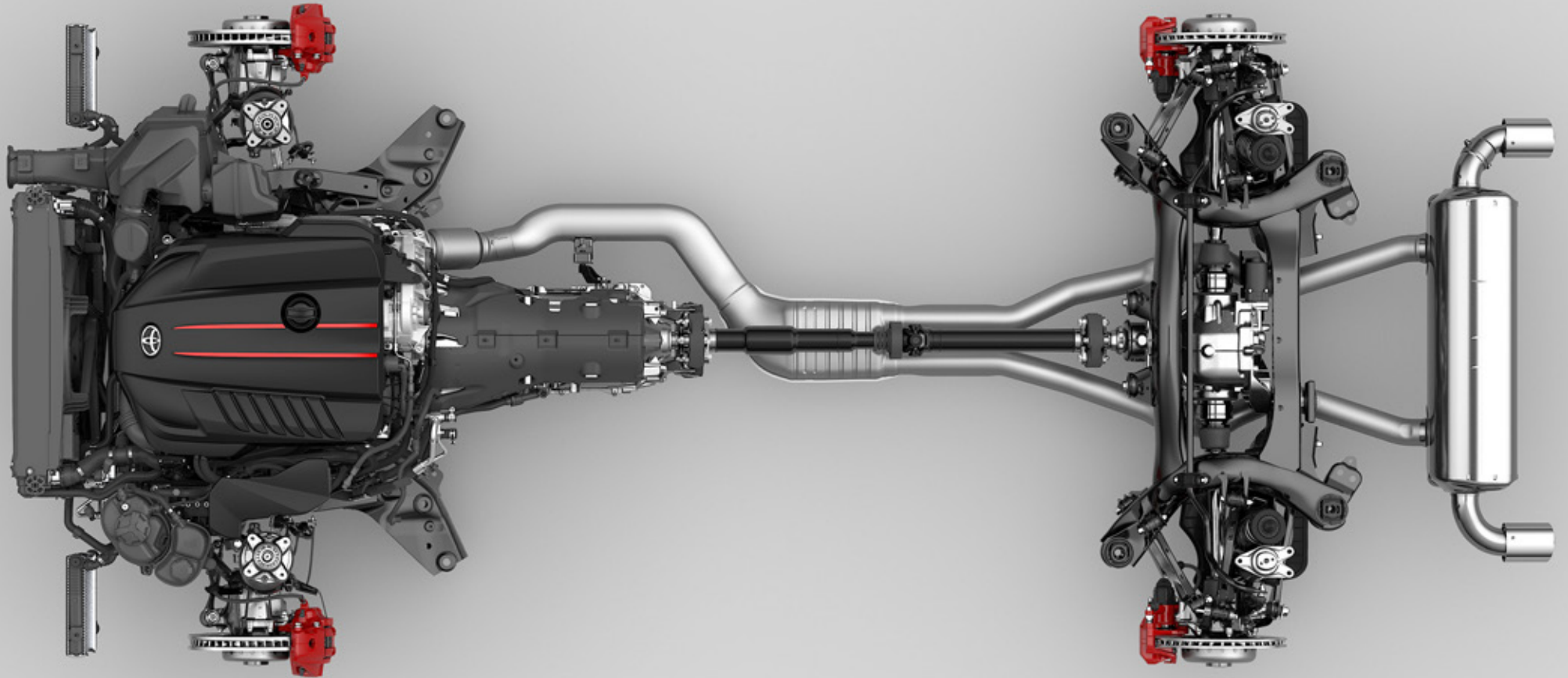
Rear end

The lightweight multi-link rear suspension with five arm construction provides excellent tyre contact to the road for outstanding handling, stability and response. The electronically controlled Limited Slip Differential (LSD) continually monitors then seamlessly adjusts the rotational difference between the rear wheels to maximise performance and ride comfort, as well as gain the optimal traction for the tyres.



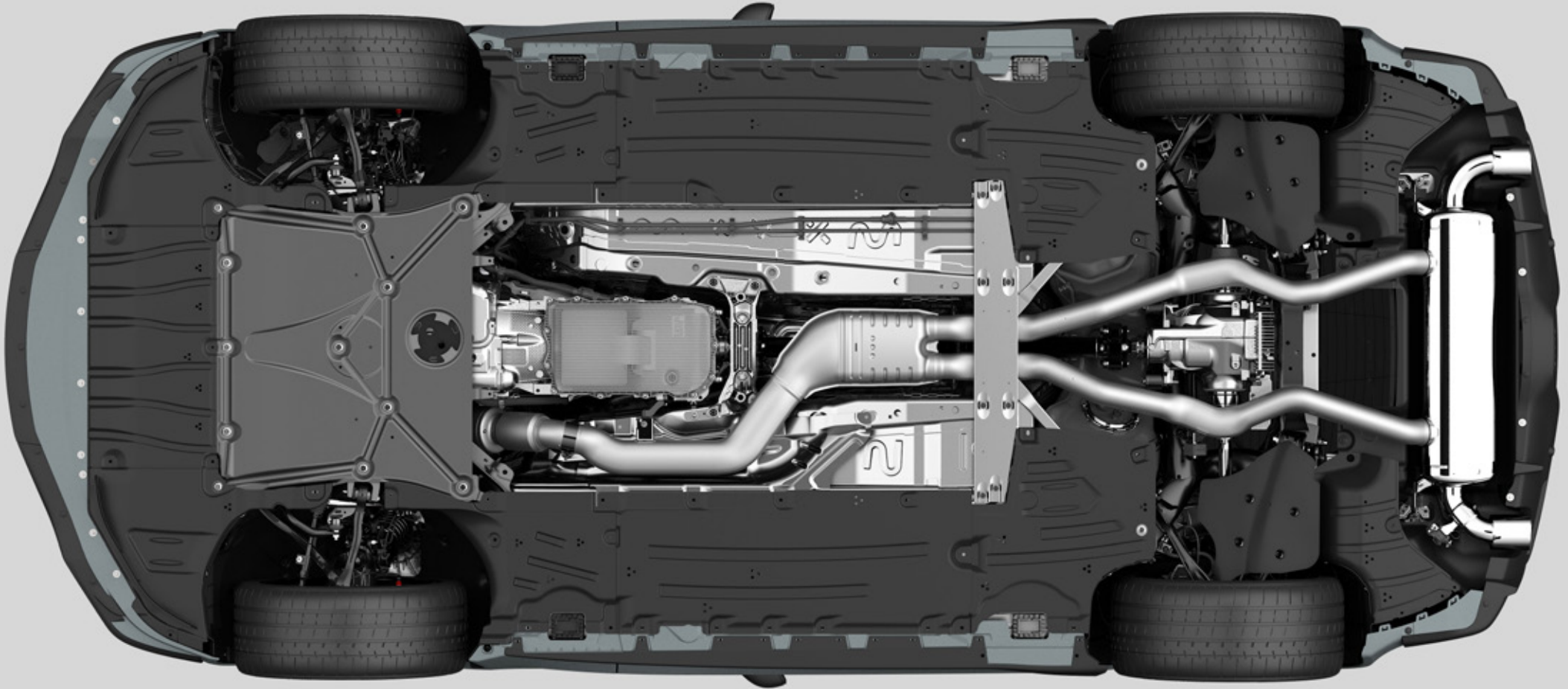
Perfect balance

Every component of GR Supra has been planned to deliver the ideal balance on the road, including the driveline transferring power to the rear wheels. The two-section propeller shaft with a central universal joint and flexible discs at each end provides smooth and responsive power transmission with minimum noise and vibration. The compact drive shafts feature hollow splines to reduce weight yet maintain high torsional strength for enhanced and sure power delivery.



Underbody

The flat under surface of GR Supra is designed to assist flat out performance, with the undercovers being specifically shaped to suppress turbulence and regulate the airflow. Air flowing underneath is redirected via carefully crafted channels and rear spats to make it feel more planted on the road and stable at speed.





SUPRA

Pure exhilaration

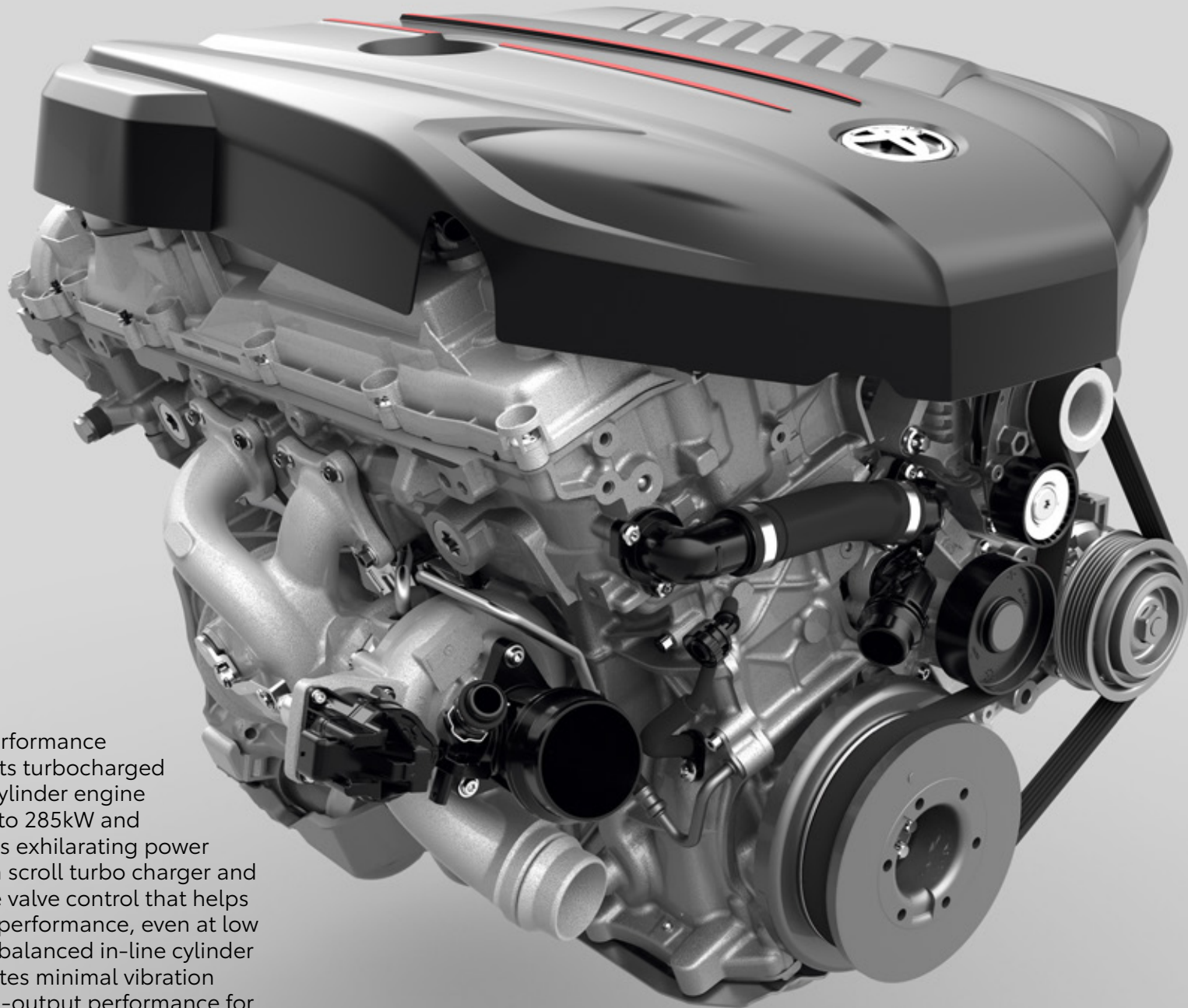
One of the first things you'll appreciate about GR Supra is the incredible performance a straight-six engine delivers as it presses you back hard into your seat when accelerating. Another is the raw sound with a distinctive engine note to elevate the senses. The pure sports spirit of GR Supra is even more apparent when you consider its abundant power, delivering 500Nm of torque right from low RPM, which is enhanced by a high precision direct fuel injection system and variable valve controls.



2020 GR Supra GTS model shown

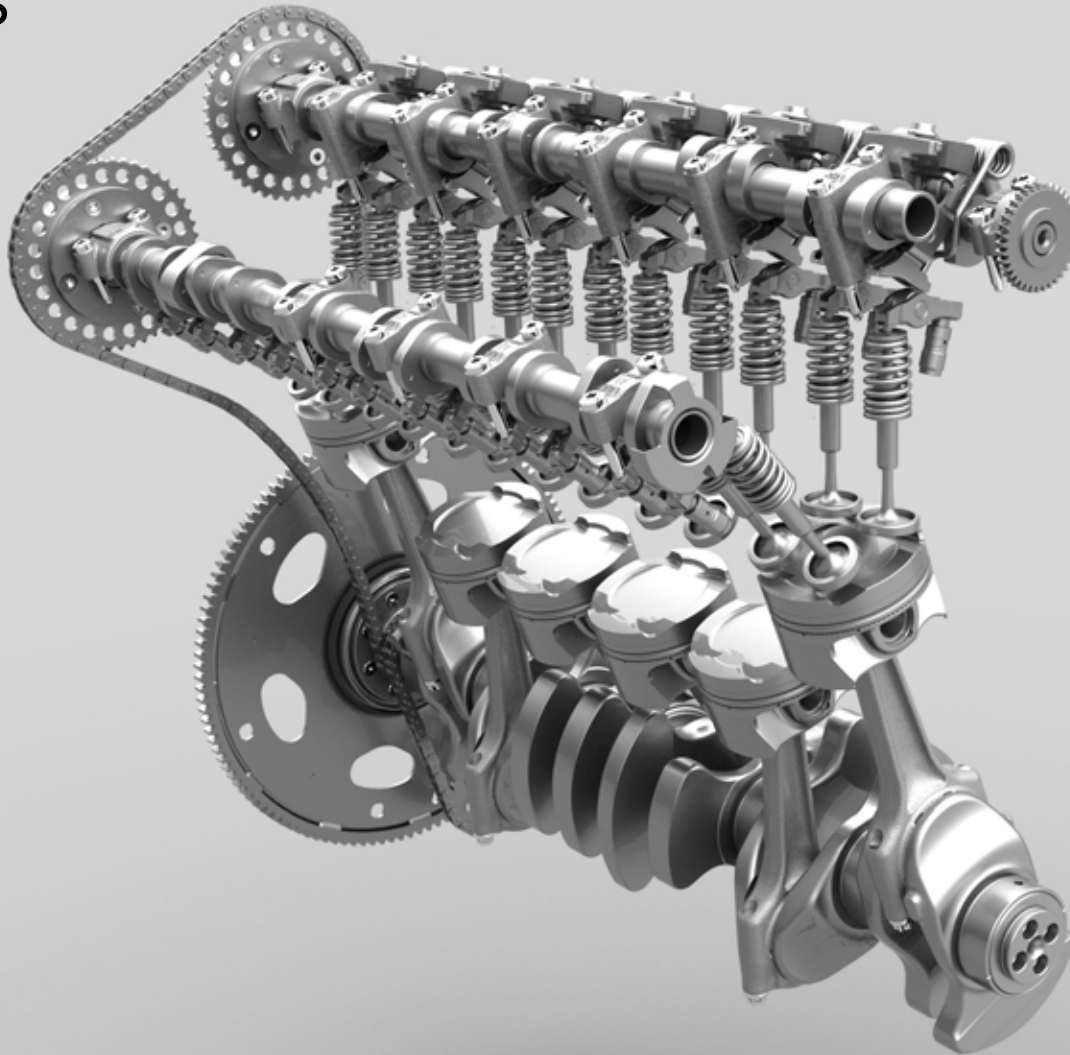
Real power

.....



The fire-breathing performance heart of GR Supra is its turbocharged 3.0 litre straight-six cylinder engine that punches out up to 285kW and 500Nm of torque. This exhilarating power is produced by a twin scroll turbo charger and continuously variable valve control that helps develop scintillating performance, even at low RPM. The beautifully balanced in-line cylinder configuration generates minimal vibration while producing high-output performance for a smooth and exhilarating revving response.

Intelligent internals



Beneath the carefully forged and crafted exterior, the GR Supra engine runs smooth and smart. The motor actuated valve timing mechanism controls the opening and closing of intake and exhaust valves to produce high torque at all speeds and match engine output to the driving conditions. High pressure direct injection at 35MPa ensures outstanding combustion efficiency, and an electric wastegate valve controls turbo boost pressure for more direct response driving performance, even from lower engine speeds.



Everything at a glance

The Supra was one of the first vehicles to feature instruments that wrapped around the driver, and the tradition continues here. All your essential driving information and diagnostics are clearly available at a glance with a Head-Up Display, 3D effect tachometer, digital speed read out and shift indicator all delivering important detail. The layout of the interior and information panels is based on experience and research to be equally suited to daily and challenging sports driving situations.



Control centre

The image shows the interior of a Toyota GR Supra, focusing on the driver's side. The driver's seat is a high-back, bucket-style seat with black leather upholstery and red perforated sections on the side bolsters and seat cushion. The center console is asymmetrical, with the driver's side being wider and featuring a gear shifter and handbrake. The passenger side is narrower. The dashboard and steering wheel are visible in the background. The overall lighting is dim, highlighting the textures of the leather and the perforated fabric.

The GR Supra cockpit combines ultra-modern functionality with traditional GT style. The racing influenced seats feature high backs and deep body holding side bolsters for excellent comfort and support. The 8.8" high-definition colour display provides touchscreen control for the audio system with mobile phone connectivity, navigation functions and more.

The asymmetrical centre console separates the driver from passenger and places air conditioning, multimedia, navigation and other important controls within easy reach. Supportive knee pads on the door and centre console have been shaped by TOYOTA GAZOO Racing experience to keep you braced against strong lateral G-forces.

Swift shift



The compact and lightweight 8-speed high efficiency automatic transmission works in perfect harmony with the engine to deliver explosive acceleration and maximum power to the road. A wide range of close gear ratios ensure both high power performance and excellent cruising control and quietness. For absolute high-speed performance, the driver can make lightning fast up- and downshifts using the paddle shifts on the leather wrapped and contoured three-spoke sports steering wheel. When the Launch Control function is engaged, GR Supra can accelerate from rest to 100kph in just 4.1 seconds.

Overseas model shown

Drive your way



You can align the driving performance of GR Supra to match the road conditions and occasion. NORMAL mode is ideal for everyday driving around town or when cruising on the open road. Select SPORT mode for more spirited driving, the engine sound and response will change to be more performance orientated, as will the damping, steering and active differential for more dynamic response.

Overseas model shown

Push to go faster



Even the driver's foot pedals maintain the performance focus of GR Supra. Styled from lightweight material to save weight and shaped for action, they offer maximum grip underfoot with a light touch for confident control during serious driving.

GR Supra GTS model shown

“I'm flat out now and the engine is really responsive.”

Kazuki Nakajima

WRC Driver





Timeless design

• • • • •

The aerodynamic exterior design of GR Supra also pays homage to Toyota sports heritage with elements such as the double-bubble sports roof design. Drawing inspiration from the 2000GT, this feature reduces the projected frontal area for lower drag. The generous curves and daring shapes work as one to provide the optimum coefficient of drag and aerodynamic balance. With no compromise on any element of its design, GR Supra is every part a classic sports thoroughbred.



GR Supra GT



- 18" alloy wheels
- Adaptive LED headlamps
- LED Daytime Running Lamps (DRLs)
- Traction control
- Adaptive suspension
- Limited Slip Differential (LSD)
- 3-spoke leather accented steering wheel
- Sport leather accented seats
- Driver and passenger heated seats
- 7 SRS airbags
- 8.8" digital speedometer with shift position indicator
- Clearance and reverse sonars
- Rear Cross Traffic Alert (RCTA)
- Reversing camera
- 10-speaker audio system (205W) with 8.8" TFT display, DAB+, touchpad, satellite navigation and wireless Apple CarPlay®²
- NORMAL/SPORT drive modes
- Paddle shift
- Dual zone automatic air conditioning
- Smart entry and start system
- Wireless phone charger
- Driver and passenger power seats
- Rain sensing wipers
- Toyota Safety Sense¹ – including Pre-Collision Safety system with daytime pedestrian and cyclist detection, Lane Departure Alert and All Speed Active Cruise Control

GR Supra GTS



In addition to, or in replacement of, GT features:

- 19" alloy wheels
- Sports brakes with red brake calipers
- Head-Up Display
- Sport accelerator and brake pedals
- 12-speaker premium JBL®³ audio system (425W)

Choose your Supra colour

The on-road performance of GR Supra is matched by a powerful range of colour choices. More than exciting, each one has also been named and inspired by some of the most famous racing circuits from around the world.



○ Fuji White⁴ D01



○ Suzuka Silver⁴ D02



● Goodwood Grey⁴ D03



● Bathurst Black⁴ D04



● Monza Red D05



● Silverstone Yellow⁴ D06

COLOUR AND TRIM GUIDE		GT		GTS	
Interior Seat Trim		Black leather accented seat trim (LB20)	Red leather accented seat trim (LB30)	Black leather accented seat trim (LB20)	Black Alcantara seat trim ⁴ (LA20)
Fuji White ⁴ D01	○	•	•	•	•
Suzuka Silver ⁴ D02	○	•	•	•	•
Goodwood Grey ⁴ D03	●	•	•	•	•
Bathurst Black ⁴ D04	●	•	•	•	•
Monza Red D05	●	•	•	•	•
Silverstone Yellow ⁴ D06	●	•	•	•	•

The Toyota Advantage



When you join the Toyota family, you get so much more than a new car feeling. You get a lifetime of benefits keeping you moving now and well into the future.

Discover your Toyota lifetime of advantages at toyota.com.au

Discover the freedom of Toyota Access

Toyota Access puts you in complete control when buying a new car with lower monthly repayments. Drive out of the Dealership with a clear road ahead then drive back a few years later with more options at your disposal than ever before. Whatever stage you're at in life, Toyota Access puts you in the driver's seat with flexibility and assurance.^{5,6} To discover Toyota Access for yourself, visit toyota.com.au/toyota-access

Capped price servicing

A new Toyota means you don't have to worry about unexpected service costs. Every Toyota comes with a low, capped price service cost for a set number of years/kilometres. Pay the same low capped price from one eligible logbook service to the next for up to 3 years or 60,000km, whichever occurs first (including Genuine parts, labour and fluids).⁷ For the full benefits, consult a Toyota Dealer or visit toyota.com.au/advantage

Toyota Warranty Advantage

Every new Toyota is built to exceptional standards. From 1 January 2019, Toyota vehicles are backed by a 5-year/unlimited kilometre warranty. If your vehicle is properly serviced and maintained per its Warranty and Service Book, we'll extend your engine and driveline warranty for an additional 2 years, giving you peace of mind for years to come. In the event of a claim covered by warranty, you are covered by a 60-day money back guarantee and 7 years emergency assistance including expenses related to car hire or towing if required.^{8,9} For more information, visit toyota.com.au/owners/warranty

Finance to get you going

If you need a little help, Toyota Finance can offer you a wide range of vehicle financing options. With Toyota Finance, you'll have the peace of mind of dealing with one of Australia's leading vehicle finance corporations with over 30 years experience. And with a range of flexible products and services to suit almost every need and circumstance, Toyota Finance can help find the right package for you or your business.¹⁰

Insurance options

Our Comprehensive Motor Vehicle insurance policy is packed with great benefits including; agreed value cover, new vehicle replacement if your Toyota is written off within the first 3 years, use of Toyota Genuine Parts, and a Lifetime Repair Guarantee on repairs authorised by Toyota Insurance.¹¹ For more information, visit toyota.com.au/insurance

Extend your peace of mind

Whether it's a flat tyre, lost keys or a flat battery, Toyota Extra Care Roadside Assist is never more than a phone call away. Available 24 hours a day, 7 days a week, our technicians are there to help you get back on the road.¹² For more information, visit toyota.com.au/insurance/roadside-assistance

Disclaimers and Notice

- 1 Driver assist feature. Only operates under certain conditions. Check your Owner's Manual for explanation of limitations. Please drive safely.
- 2 CarPlay® is a trademark of Apple, Inc. registered in the U.S. and other countries.
- 3 Product and company names are trademarks of their respective owners.
- 4 Paint featured is an optional extra at additional cost.
- 5 Terms and conditions, fees and charges apply. Toyota Access Guaranteed Future Value products are available to approved customers of Toyota Finance, a division of Toyota Finance Australia Limited ABN 48 002 435 181, AFSL and Australian Credit Licence 392536.
- 6 Lower monthly repayments compared to a similar term with no Guaranteed Future Value (GFV) or equivalent balloon final payment. Total interest charges will be higher if a GFV or balloon final payment is selected.
- 7 Applies to standard scheduled logbook servicing (normal operating conditions). Excludes Government and Rental vehicles. For details see your Toyota Dealer or visit toyota.com.au/advantage
- 8 Applicable to new vehicles delivered on or after 01/01/2019. The standard Toyota Warranty Advantage period is 5 years, with unlimited kms, from delivery. Excludes vehicles used for a commercial purpose, such as taxis, hire vehicles and vehicles transporting people or goods for payment including rideshare. The commercial vehicle Toyota Warranty Advantage period is 5 years from delivery or 160,000kms (whichever occurs first). See toyota.com.au/owners/warranty or your vehicle's Warranty and Service Book for T&Cs. This warranty does not limit and may not necessarily exceed your rights under the Australian Consumer Law.

IMPORTANT NOTICE – PLEASE READ:

Toyota Australia uses its best endeavours to ensure material is accurate at the time of publishing. All information must be confirmed with your Toyota Dealer at the time of ordering, as specifications, applicability and availability may change over time. Colours depicted are a guide only and may vary from actual colours due to the printing/display process. Toyota Australia reserves the right to change and/or discontinue, without notice, models, prices, colours, materials, equipment, specifications. To the extent permitted by law, Toyota Australia will not be liable for any damage or loss incurred from

- 9 The Toyota Warranty Advantage Extended Engine and Driveline coverage is for 7 years from delivery, provided your vehicle is properly serviced and maintained per its Warranty and Service Book. Excludes vehicles used for a commercial purpose, such as taxis, hire vehicles and vehicles transporting people or goods for payment including rideshare. See toyota.com.au/owners/warranty for details. This warranty does not limit and may not necessarily exceed your rights under the Australian Consumer Law.
- 10 Approved applicants only. Terms and conditions apply. Toyota Finance is a division of Toyota Finance Australia Limited ABN 48 002 435 181, AFSL and Australian Credit Licence 392536.
- 11 Terms and conditions apply. This advice is general in nature and does not take into account your objectives, financial situation or needs. Before making a decision to purchase any of the insurance products you should consider the appropriateness of the advice taking into account your own objectives, financial situation and needs and refer to the current PDS for the relevant product available from participating Dealers, via our website at toyota.com.au/insurance or by calling 137 200. Toyota Insurance purchased in a Dealership or via the Toyota Insurance National Customer Solutions Centre is issued by Toyota Finance Australia Limited ABN 48 002 435 181, AFSL and Australian Credit Licence 392536. The insurer is Aioi Nissay Dowa Insurance Company Australia Pty Ltd ABN 11 132 524 282, AFSL 443540 (Adica). If Toyota Insurance is purchased online, the issuer and insurer is Adica.
- 12 Toyota Roadside Assist is administered by Toyota Finance, a division of Toyota Finance Australia Limited ABN 48 002 435 181, AFSL and Australian Credit Licence 392536.

relying on the information and images contained in this material. Distributed nationally (other than in Western Australia) by Toyota Motor Corporation Australia Limited ABN 64 009 686 097. Material distributed in Western Australia by or on behalf of Prestige Motors Pty Ltd (for vehicles) and by Eastpoint Pty Ltd (for parts/accessories). Toyota Australia makes no warranties regarding (and will not be liable for) accuracy of materials distributed in Western Australia. PROOF HQ: T2021-017545. GTP-005375. VERSION: NOVEMBER 2021.



**“The noise. It’s the noise
I’m most impressed with.”**

Kris Meeke
WRC Driver

