

1986 FORD TEMPO



FORD TEMPO



Tempo LX is top-of-the-line all the way combining a host of standard comfort and convenience items with superb ride characteristics.



Tempo GL offers a long list of standard equipment with many of the same features found in the more luxurious LX models.



Tempo Sport GL is for those who desire a bit more fun in their day-to-day driving. It adds a higher output engine and stiffer handling suspension.

Take a close look at Ford Tempo soon. See how completely it answers your driving needs.

Contents

Ford Tempo Environment	8-9
Ford Tempo LX	10-11
Ford Tempo GL	12-13
Ford Tempo Sport GL	14-15
Ford Performance	16-17
Preferred Equipment Packages	18-19
Options, Colors and Trims	20-21
Safety and Owner Information	22-23

Ford Tempo for 1986...from the maker of the best-built American cars

A 1985 survey of owners has established that Ford makes the best-built American cars. This is based on an average of problems reported by owners in the prior six months on 1981-84 models of all cars designed and built in the United States. Proof again that, at Ford... Quality is Job 1.

The 1986 Ford Tempo will be available in November 1985.

At right: Ford Tempo Select GL 2-Door in Medium Canyon Red Clearcoat Metallic. Shown with one of Tempo's new Preferred Equipment Packages. See pages 18-19 for details.

Some equipment shown may be optional. See options list on page 21.





Ford Tempo LX 4-Door shown in Black. Some equipment shown may be optional. See options list on page 21.

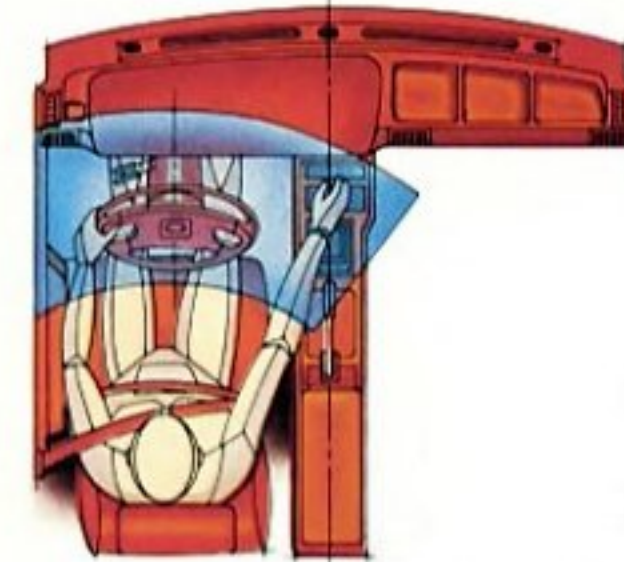


Ford Tempo LX interior shown in Canyon Red. Some equipment shown may be optional. See options list on page 21.

ENVIRONMENT

An interior designed for function and comfort

Correct interior design involves the application of the science of ergonomics: the relationship of the driver and passengers to the car. In Tempo, applied ergonomics strategically places the driver in front of a driver-biased instrument panel with large, easy-to-read gauges. Operating controls are placed within easy reach.



Tempo seating is firm and comfortable with deep foam pads over a flat steel spring base. The front bucket seats are body-contoured for firm back and thigh support. The driver's seat provides over seven inches of seat track adjustment, the passenger seat six inches. And both



Tempo 2-door carries over 13 cu. ft. of luggage. In LX, the trunk is completely carpeted.

have reclining seat backs for individual seating comfort. Tempo's 3-passenger rear seating is especially noteworthy among cars of its size. It offers the practical benefit of space associated with much larger sedans.



Sport Instrument Cluster. Standard in LX and Sport GL, optional in GL.

Left: Tempo LX instrument panel and front seat environment shown in Canyon Red. Some equipment shown may be optional. See the options list on page 21.

FORD TEMPO LX

Completely equipped for comfort and convenience

The Tempo LX is equipped with power steering, tilt steering wheel, power door locks, decklid release and remote fuel filler release. There are also dual electric remote control mirrors, interval wipers, styled road wheels with new performance radial tires and touring suspension, tinted glass, digital clock, trip odometer, and instrumentation package with tachometer, all standard. Plus a full complement of courtesy lights and an AM/FM stereo radio.* Tempo LX even includes the Illuminated Entry System which automatically lights the outside door locks and the interior when either front door handle is raised.

The seats are covered in all-cloth trim and have 4-way adjustable head restraints. A folding center armrest and luxury door trim panels are standard as is the luxury weight cut-pile carpeting.

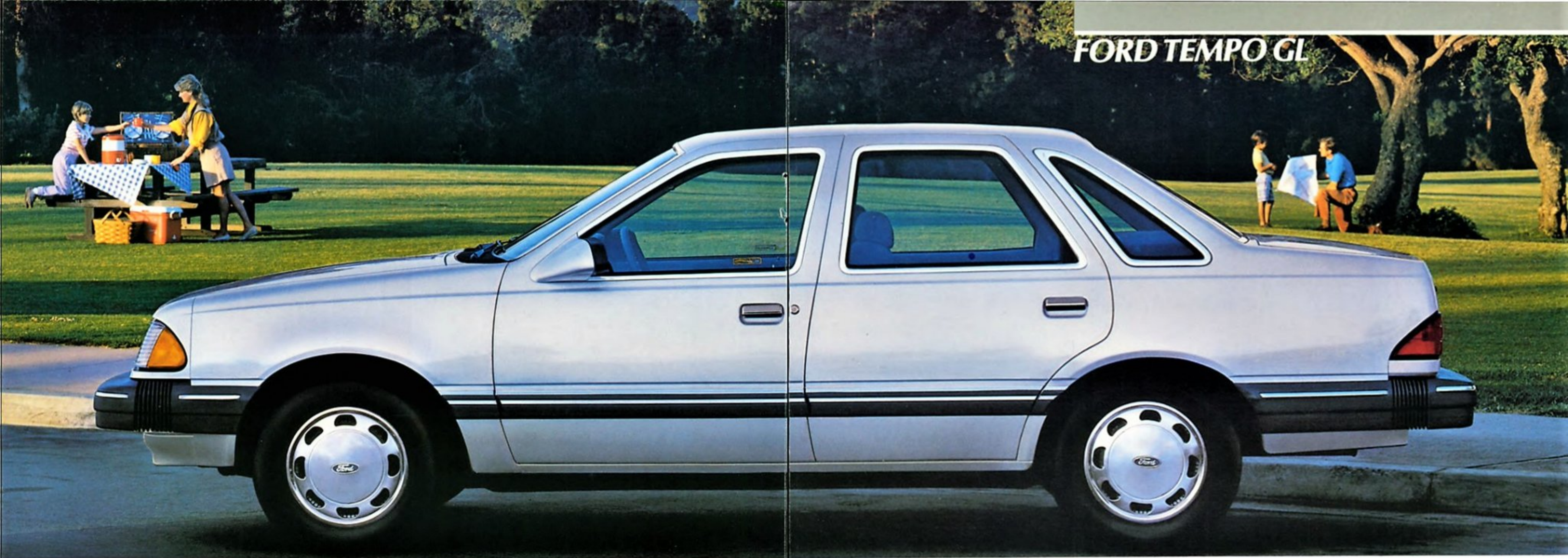
*May be deleted for credit.



Left: Tempo LX 2-Door shown in Medium Grey Clearcoat Metallic. Top right: Tempo LX interior shown in Canyon Red.

Bottom right: Tempo LX instrument panel shown in Canyon Red. Some equipment shown may be optional. See options list on page 21.





Setting high standards for all Tempos

Ford Tempo GL can be ordered in any one of three ways. The standard GL, Select GL or Sport GL (covered on pages 14-15).

The popular Tempo GL series starts off with a new luxury sound insulation package, a well-tailored interior that includes reclining front bucket seats in cloth. The door trim panels are padded with carpeted lower inserts. The visors are cloth covered and include visor mirrors.

Other convenience items include AM radio with dual front speakers*, electronic digital clock and interval wipers.

Step up to the Select GL and these desirable features are added: tinted glass all around, dual electric remote control mirrors, power steering and an AM/FM stereo radio with four speakers* and, front fold down center armrest.

*May be deleted for credit.

Above: Tempo GL 4-Door shown in Silver Clearcoat Metallic.

Right: Tempo GL interior shown in Medium Grey.

Far right: Tempo GL instrument panel shown in Medium Grey.

Some equipment shown may be optional. See the options list on page 21.



FORD TEMPO SPORT GL

Appealing to your performance tastes



The Sport GL is powered by the 2300 High Specific Output (HSO) fuel-injected engine and 5-speed manual transaxle. Sport GL also provides a firmer ride with a tight performance handling suspension system and 14-inch performance radial ply tires wrapped around 7-spoke aluminum wheels.

And Sport GL's performance theme is attractively highlighted with a red stripe insert in the dark grey bumpers and bodyside molding.

The interior is equally appealing with all-cloth, fully reclining performance bucket seats, sport instrument cluster and leather-wrapped 4-spoke steering wheel. For entertainment, an AM/FM stereo radio with cassette tape player, Dolby® noise reduction and four speakers* is also standard.

There's a lot more to the Sport GL than meets the eye. But you'll have to drive one to gain a full appreciation of its total merits.

*May be deleted for credit.



Above: Tempo Sport GL 2-Door shown in Oxford White.

Top left: Tempo Sport GL interior shown in Sand Beige.

Bottom left: Tempo Sport GL instrument panel shown in Sand Beige.

Right: Tempo Sport GL 4-Door shown in Medium Grey Clearcoat Metallic.

Some equipment shown may be optional. See options list on page 21.





Ford performance over the road and under the hood

Front-wheel drive and 4-wheel independent suspension

Tempo's 4-wheel independent suspension, all season radials, front stabilizer bar and precise rack and pinion steering result in a stable, smooth ride and give Tempo remarkable reflexes.

The independent suspension system uses the modified MacPherson strut design.

The major benefit of this design is increased control over road shock because it's easier to control the effects of jolts when each rear wheel acts independently.

Rack and pinion steering

Tempo is equipped with rack and pinion steering (power-assisted on Select GL and LX models) for an excellent feel of the road and precise steering response.

Airflow as a stabilizing force

Tempo's dynamic shape does more than help the engine deliver excellent fuel economy. The steering and suspension systems benefit as well. Through careful fine-tuning of selected design areas, airflow is directed to reduce front and rear lift for directional stability and cornering agility.

Tempo's aerodynamic design also incorporates aircraft-type, wrapover doors and concealed drip moldings. This design helps improve aerodynamic efficiency and reduces wind noise.

A computer-controlled engine designed specifically for Tempo

The 2300 High Swirl Combustion (HSC) engine was developed specifically for Ford Tempo. The design includes wedge-shaped combustion

chambers with centrally located spark plugs and an electronically controlled fuel injection system (EFI). The valves use a special "masked" design that predictably swirls the air fuel mixture for a fast, efficient burn rate. This advanced design engine with high fuel/air velocity, overhead valves and 9:1 compression ratio delivers 124 foot-pounds of torque at only 2,800 rpm.

For highway economy, the engine is teamed with a standard 5-speed manual transaxle.

The optional 2.0 liter diesel engine

This optional engine is a true diesel, not a converted gasoline engine. Because it was designed as a diesel from the outset, a number of important design features were built in. For instance, Tempo diesel models are equipped with an advanced glow plug system that provides a wait-to-start time of only 3 seconds at 0 degrees Fahrenheit.

To help eliminate a problem com-



mon to all diesels the Tempo 2.0 liter diesel is equipped with a fine filtration water separator, a flashing warning light on the instrument panel, and an easily accessible water drain for do-it-yourself draining. There's also a standard automatic fuel heater to prevent cold weather fuel waxing.

Tempo powerteams

Engine	Transaxle	Transfer Ratios 49 States	Calif.
2300 HSC-EFI	5-speed	3.33	3.33
2300 HSO-EFI*	5-speed	3.73	3.73
2.0L Diesel	5-speed	3.73	NA

* Available in the Sport GL Series only.

Gas mileage

1986 EPA mileage estimates were not available at the time this catalog was approved for printing. As soon

as EPA figures are released, your Ford Dealer will be among the first to receive this information and will be happy to pass it along to you.

Left: Tempo GL 2-Door in Sand Beige Clearcoat Metallic. Some equipment shown may be optional. See the options list on page 21.

A WELL-EQUIPPED CAR

The Tempo Select GL 2-Door Sedan pictured below illustrates the high level of standard equipment in this series. It is Preferred Equipment Package 226B, with the kinds of features that have proved popular with many car buyers.



Tempo Select GL 2-Door Sedan (Preferred Equipment Package 226B):

- Front-wheel drive
- 4-wheel independent suspension
- 2300 HSC engine/5-speed manual transaxle
- Power rack and pinion steering
- Power front disc/rear drum brakes

- Maintenance-free battery
- 14" BSW all-season steel-belted radial tires
- Bright front and rear bumpers
- Lower bodyside protection
- 15.4 gallon fuel tank
- Tethered gas cap
- Deluxe wheel covers
- Low back reclining front bucket seats with cloth seating surfaces

- Color-keyed deluxe seat belts with comfort regulators
- Steering column mounted multi-function controls for turn signals, headlamp dimmer and flash-to-pass feature
- Alert chimes (reminder for key-in-ignition, buckle seat belts)
- Interval wipers
- Electronic digital clock

- Map pockets in door panels
- Lockable glove box
- High mount brake light
- Luxury Sound Insulation Package
- Tinted glass, complete
- Dual electric remote control mirrors
- AM/FM stereo radio with four speakers
- Color-keyed visors with covered mirrors

- Inside hood release
- Consolette
- Front fold-down center armrest

PREFERRED EQUIPMENT PACKAGES

Ordering your Tempo is easy with Preferred Equipment Packages. Here's how it works: (1) Choose your body style (2- or 4-door). (2) Select the Preferred Equipment Package with the features you want from the chart at right. The entire ordering procedure is greatly simplified. Contents of Preferred Equipment Packages are subject to change. For the latest information, consult your Ford Dealer.

Ford Tempo Sedans	GL 225A	Select GL 226B	LX 230B	Sport GL 228A
Front-wheel drive	*	*	*	*
4-wheel independent suspension	*	*	*	*
2300 HSC engine/5-speed transaxle	*	*	*	*
2300 HSO engine with EFI/5-speed transaxle	*	*	*	*
Manual rack and pinion steering	*	*	*	*
Power rack and pinion steering	*	*	*	*
Power front disc/rear drum brakes	*	*	*	*
Maintenance-free battery	*	*	*	*
14" BSW all-season steel-belted radial tires	*	*	*	*
Bright front and rear bumpers	*	*	*	*
Grey front and rear bumpers	*	*	*	*
Lower bodyside protection	*	*	*	*
15.4-gallon fuel tank	*	*	*	*
Tethered gas cap	*	*	*	*
Deluxe wheel covers	*	*	*	*
Styled road wheels	*	*	*	*
7-spoke 14-inch aluminum wheels	*	*	*	*
Low-back reclining front bucket seats with cloth seating surfaces	*	*	*	*
Color-keyed deluxe seat belts with comfort regulators	*	*	*	*
Steering column mounted multi-function controls for turn signals, headlamp dimmer and flash-to-pass feature	*	*	*	*
Alert chimes	*	*	*	*
Interval wipers	*	*	*	*
Electronic digital clock	*	*	*	*
Map pockets in door panels	*	*	*	*
Lockable glove box	*	*	*	*
High mount brake light	*	*	*	*
Luxury Sound Insulation Package	*	*	*	*
Tinted glass, complete	*	*	*	*
LH rearview mirror	*	*	*	*
Dual electric remote control rearview mirrors	*	*	*	*
AM radio (1)	*	*	*	*
AM/FM stereo radio with four speakers (1)	*	*	*	*
AM/FM stereo radio with cassette tape player (1)	*	*	*	*
Color-keyed visors with covered mirrors	*	*	*	*
Inside hood release	*	*	*	*
Consolette	*	*	*	*
Front fold-down center armrest	*	*	*	*
4-way adjustable headrests	*	*	*	*
Seat back map pockets	*	*	*	*
Passenger assist handles	*	*	*	*
Luxury luggage compartment trim	*	*	*	*
Light Group (2)	*	*	*	*
Power Lock Group (3)	*	*	*	*
Tilt steering wheel	*	*	*	*
Sport instrument cluster	*	*	*	*
Leather wrapped 4-spoke steering wheel	*	*	*	*

(1) May be deleted for credit.
 (2) Includes lights for the ashtray, glove box, engine and luggage compartments. Plus a headlamps "ON" chime, dome light door switches on rear doors of 4-door models and a map light.
 (3) Includes power door locks, power decklid release and remote fuel filler door release.
 Note: In certain states there may be variations in features and equipment. Your Ford Dealer has the details.

TEMPO OPTIONS

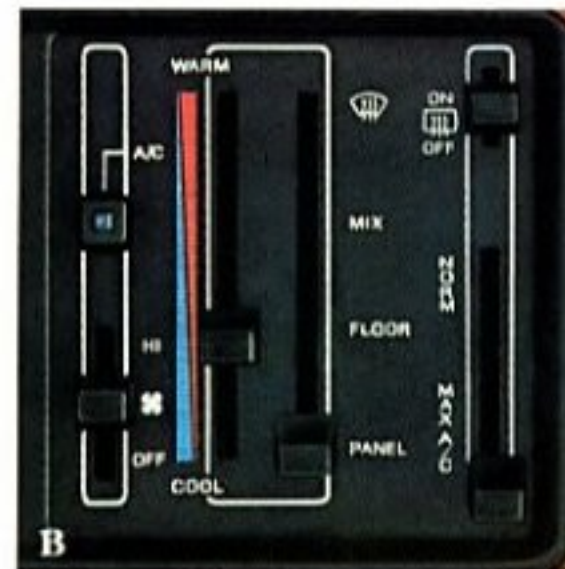
A number of Tempo options are listed individually on page 21. Other options are available in Special Value Option Groups. Each of these option groups offers a discount when you order the complete package of equipment compared with traditional suggested pricing of the options purchased separately. Options and their availability may change during the year. Your Ford Dealer can advise you of the current status.

Electronic AM/FM stereo search radio with cassette tape player

This state-of-the-art electronic radio includes the features that are sure to please the most ardent audiophile. Some of these are: memory for six AM and twelve FM stations; electronic search both up and down the scale; FM muting; local/distant sensitivity switch; integral automatic noise suppression; 24-watts of RMS power; auto-reverse cassette player; Dolby® noise reduction; fast forward and reverse.

Speed control

Speed control, available in the Convenience Group, automatically maintains any speed you set at 30 mph or above. Controls are positioned on the steering wheel for maximum convenience. The system includes a "resume" feature that lets you return to a speed you previously set at the touch of a button.



Illustrated Options: (A) AM/FM stereo radio with cassette player; (B) Air conditioner; (C) Center console; (D) Tot-Guard for children 20 to 50 pounds (available at your Ford Dealer); (E) Styled road wheels; (F) Styled steel wheels with trim rings and bright hub cover.



Special Value Option Groups

The following options are combined into two convenient ordering groups. They are designed to give you the options you want — and save you money. The price you pay for the entire package of equipment is less than what you would pay for each item, based on the traditional pricing of options purchased separately. You may choose to have one or more features removed from the individual groups, but the package discount no longer applies.

	GL 225A	Select GL 226B	LX 230B	Sport GL 228A
Convenience Group (66D)				
Front center armrest	■	■	■	■
Premium Sound System (1)	■	■	■	■
AM/FM stereo radio with cassette player (2)	■	■	■	■
Speed control	■	■	■	■
Tilt steering wheel	■	■	■	■
Power Equipment Group (61D)				
Power Lock Group (3)	■	■	■	■
Power driver's seat	■	■	■	■
Power side windows	■	■	■	■

■ = Standard ■ = Optional
 (1) Includes power amplifier and four upgraded speakers.
 (2) Electronic AM/FM stereo radio with cassette player may be substituted.
 (3) Includes power door locks, power decklid release and remote fuel filler door release.

Tempo Individual Options

You can select any number of the following options in addition to those included in the Special Value Option Groups.

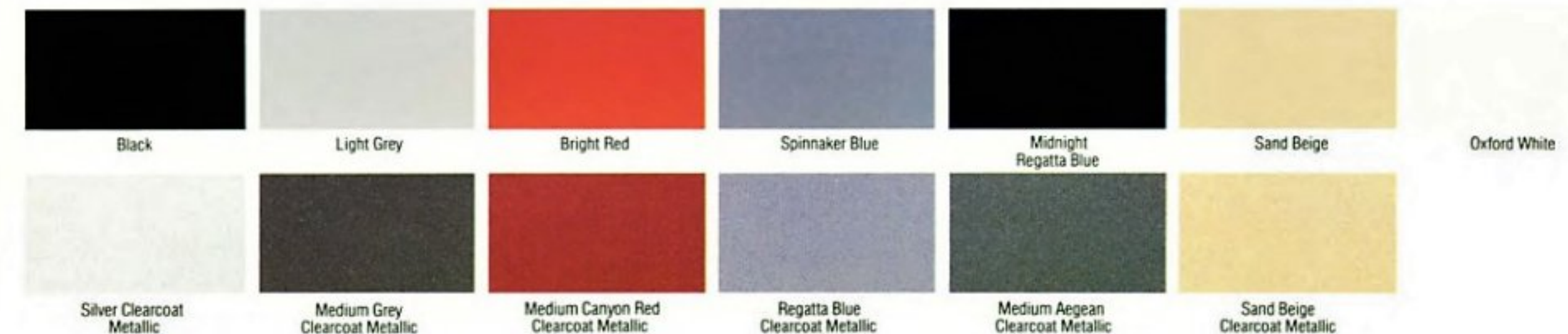
	GL 225A	Select GL 226B	LX 230B	Sport GL 228A
2.0 liter diesel engine package	■	■	■	■
Automatic transaxle	■	■	■	■
Air conditioner	■	■	■	■
Rear window defroster	■	■	■	■
Decklid luggage rack	■	■	■	■
Lower accent paint treatment	■	■	■	■
Clearcoat paint	■	■	■	■
Premium Sound System	■	■	■	■
California Emissions System	■	■	■	■
Center console	■	■	■	■
Tinted glass, complete	■	■	■	■
Sport instrument cluster	■	■	■	■
Dual electric remote control rearview mirrors	■	■	■	■
AM/FM stereo radio	■	■	■	■
AM/FM stereo radio with cassette player	■	■	■	■
Electronic AM/FM stereo search radio with cassette player	■	■	■	■
Power steering	■	■	■	■
Styled road wheels	■	■	■	■

Colors & Trims

	Interior Trim Colors				Exterior Paint Colors
	Medium Grey	Canyon Red	Regatta Blue	Sand Beige	
	×	×	×	×	Black
	×	×	×	×	Light Grey
	×	×	×	×	Bright Red
	×				Spinnaker Blue
	×		×	×	Midnight Regatta Blue
	×		×		Sand Beige
	×	×	×	×	Oxford White
					Clearcoat Metallic Paint
	×	×	×		Silver Clearcoat Metallic
	×	×		×	Medium Grey Clearcoat Metallic
	×	×	×		Medium Canyon Red Clearcoat Metallic
	×		×		Regatta Blue Clearcoat Metallic
	×		×		Medium Aegean Clearcoat Metallic
			×		Sand Beige Clearcoat Metallic

Some of these paint and trim colors are shown in this catalog. On the printed page, of course, colors are at best only representative of the originals. Your Ford Dealer can show you actual samples of paint colors and trim materials, as well as Tempo color and trim availability.

Note: In certain states available interior and exterior colors may vary. Your Ford Dealer has the details.





Ford Motor Company strongly encourages all passengers to use their safety belts.

In all Ford cars, outboard front seat lap and shoulder belts have automatic retractors and comfort regulators. Outboard rear seat positions also have lap belts with retractors.

Ford urges the use of child and infant restraints as required in all states. Ford's easy-to-install Tot-Guard (for children 20 to 50 pounds) and Infant Carrier (for children up to 20 pounds) are available at all Ford Dealers. If a child restraint requires a top-tether, Ford cars provide for attachment of an anchor at each rear outboard seating position.

Ford Lifeguard Design Safety Features

Vehicle operation

- Safety rim wheels and load-rated tires
- Split hydraulic brake system with warning light
- Corrosion-resistant brake lines
- Flash-to-pass headlamps
- Turn indicator with lane-changing signal feature
- Hazard warning flasher
- Backup lights
- Wraparound side marker/parking lamps coupled with headlamps
- Variable speed windshield wipers
- Windshield washers
- Dual outside rearview mirrors
- Glare-reduced instrument panel, windshield wiper arms and windshield pillars
- Uniform transmission shift quadrant (on all cars equipped with automatic transmission)
- Continuously variable control illumination intensity (instrument panel lighting)
- Secondary hood latch system
- Function-rated windshield defroster system
- High mount brake lamp

Occupant protection

- Safety-designed front end structure
- Safety-designed roof structure
- Steel guard rails in side doors
- Double yoke safety door latches and safety hinges
- Integral lap and shoulder belts with automatic retractors for occupants of front seats
- Positive seat belt fastening reminder warning light and buzzer for the driver's seat
- Lap belts for rear seat occupants
- Energy-absorbing steering column and steering wheel system
- Energy-absorbing armrests and safety-designed door handles
- Energy-absorbing instrument panel with padding for right front passenger
- Energy-absorbing sun visors
- Energy-absorbing front seat back tops with padding
- Self-locking front seat backs
- Head restraints for front outboard occupants
- Safety glove box latch

- Inside yieldaway rearview mirror
- Impact-absorbing laminated safety glass windshield
- Flame resistant interior materials
- Safety-designed coat hooks
- Safety-designed radio control knobs and push buttons
- Child-proof rear door locks (4-door vehicles)

Child-proof rear door locks

Ford Tempo 4-door models are equipped with child-proof rear door locks. The locking mechanisms are manually operated and located in the door jams to prevent children from accidentally opening the rear doors from the inside.



Special quality steps: Corrosion protection.

Ford takes tough measures to protect its cars against the damaging effects of corrosion. Galvanized steel is used for important underbody and structural components. Pre-coated steel, featuring corrosion inhibitors, is also used in major body panels. Special treatments are applied to selected areas of the body.

Scheduled maintenance

Here are some examples of scheduled maintenance intervals for the 1986 Tempo. For complete maintenance recommendations, refer to the Tempo Owner Guide.

Engine oil change	each 7,500 miles
Diesel oil filter change	
Main	each 7,500 miles
Bypass	each 15,000 miles
Spark plug change	each 30,000 miles
Air filter replacement	each 30,000 miles
Engine coolant replacement	each 30,000 miles or 3 years
Diesel	each 30,000 miles

SAFETY AND OWNER INFORMATION

Measurements

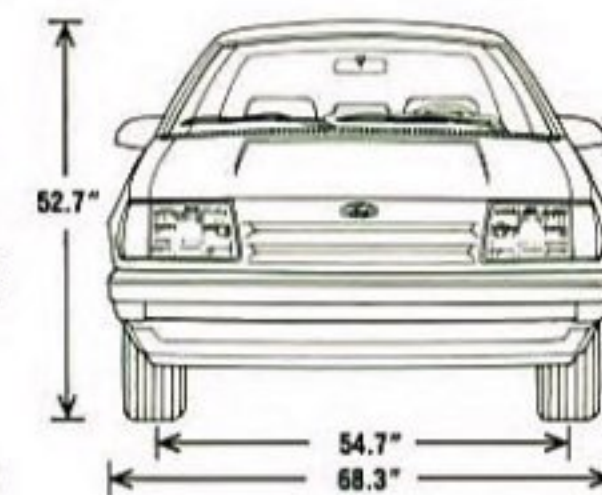
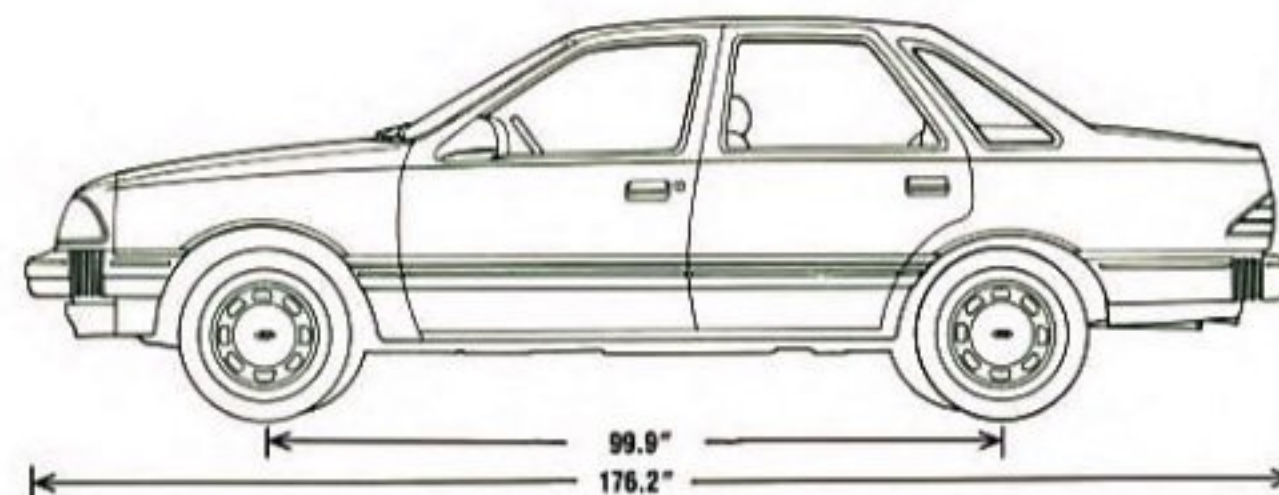
	2-Door/4-Door
Wheelbase	99.9"
Length	176.2"
Height	52.7"
Width	68.3"
Tread: front	54.7"
Tread: rear	57.6"
Trunk or cargo volume (cu. ft.)	13.2/12.9
Fuel capacity (gal.)	15.4
Curb weight (lb.)	2,339/2,398
Passenger capacity	5

5-mile-an-hour bumpers

Bumpers on Tempo are designed to protect lamps, cooling system, exhaust and other body components in the event of a minor impact. While some manufacturers equip their cars with bumpers that just meet the 2 1/2-mph federal standards, Ford equips Tempo and every other car it makes with bumpers designed to absorb impacts of 5-mph.



Participating Ford Dealers are now offering the Lifetime Service Guarantee, which guarantees their work on your Ford vehicle for as long as you own it. This means that the covered repair is paid for once — and never again. If it ever has to be fixed again, the repairing dealer will fix it free. Free parts. Free labor. Even if the car is kept a lifetime. It doesn't matter where it was purchased, or whether it's new or used; the work is still covered by the repairing dealer.



This limited warranty covers vehicles in normal use. Items not covered are routine maintenance parts, belts, hoses, sheet metal, and upholstery. Ask to see this guarantee when you visit your participating Ford Dealer.



The optional Ford Extended Service Plan covers major components on new Ford cars and light trucks for longer than the vehicle's basic warranty. The cost is so moderate for the protection you get that it could pay for itself the first time you need it. Your Ford Dealer has all the details.



Genuine Ford and Motorcraft original equipment replacement parts meet the same high standards as those installed in production. They are your best assurance of quality and long-term satisfaction.

Ford-paid repair programs after the warranty period

Sometimes Ford offers adjustment programs to pay all or part of the cost of certain repairs. These programs are intended to assist owners and are in addition to the warranty or to required recalls. Ask Ford or your dealer about such programs relating to your Ford or Lincoln-Mercury vehicle.

To get copies of any adjustment program for your vehicle or the vehicle of interest to you: Call Ford toll-free at 1-800-241-3673. Alaska/Hawaii call 1-800-241-3711 and in Georgia call 1-800-282-0959.

Or write Ford at:
Ford Customer
Information System
Post Office Box 95427
Atlanta, Georgia 30347

We'll need your name and address; year, make and model vehicle, as well as engine size; and whether you have a manual or automatic transmission.

Technical service bulletins

All vehicles need repairs during their lifetime. Sometimes Ford issues technical service bulletins (TSBs) and easy-to-read explanations describing unusual engine or transmission conditions which may lead to costly repairs, the recommended repairs, and new repair procedures. Often a repair now can prevent a more serious repair later. Ask Ford or your dealer for any such TSBs and explanations relating to your Ford or Lincoln-Mercury vehicle.

To get copies of these technical service bulletins and explanations for your vehicle or the vehicle of interest to you: Call Ford toll-free at 1-800-241-3673. Alaska/Hawaii call 1-800-241-3711 and in Georgia call 1-800-282-0959.

Or write Ford at:
Ford Customer
Information System
Post Office Box 95427
Atlanta, Georgia 30347

We'll need your name and address; year, make and model vehicle, as well as engine size; and whether you have a manual or automatic transmission.

Options availability

Options shown or described in this catalog are available at extra cost and may be offered in combination with other options or subject to additional ordering requirements or limitations. Your Ford Dealer has the latest information.

Product changes

Ford Division reserves the right to change product specifications at any time without incurring obligations.

Buy or lease a new Ford Tempo

"Ask your Ford Dealer"

Following publication of this catalog, certain changes in standard equipment, options, prices and the like or product delays, may have occurred which would not be included in these pages. Your Ford Dealer is your best source for up-to-date information.

Have you driven a Ford...lately?



FORD TEMPO

