

04

ESCAPE



THE MOST HIGHLY EVOLVED SUVs ON EARTH : Or anywhere else.

FROM NIMBLE RUNABOUT TO FULL-SIZE FAMILY HAULER, YOU'LL FIND THE ANSWER TO YOUR SPORT UTILITY VEHICLE NEEDS IN ONE OF THE BROADEST LINES OF SUVs ANYWHERE. THE 2004 FORD LINEUP – ESCAPE, EXPLORER SPORT TRAC, EXPLORER, EXPEDITION AND EXCURSION – DESCENDS FROM SOME OF THE BEST OF THE ROAD'S RUGGED WARRIORS. LIKE THE ORIGINAL EXPLORER THAT BROUGHT THE SUV TO THE FOREFRONT. OR THE 9-PASSENGER EXPEDITION THAT CONTINUES TO TAKE ADVENTURERS ALMOST ANYWHERE THEY WANT TO GO. WHATEVER YOUR NEEDS, YOU NEED LOOK NO FURTHER. YOUR ANSWER'S HERE.

ESCAPE IS AN OBVIOUS DESCENDANT OF SOME OF THE MOST CAPABLE SUVs ON THE ROAD. ITS SPORTY GOOD LOOKS, AVAILABLE 201-HP V6 AND ENDLESS VERSATILITY ARE ALL PRODUCTS OF THIS STRONG LINEAGE. FROM THE LEATHER-TRIMMED AND WELL-EQUIPPED LIMITED, TO THE RUGGED XLT NO BOUNDARIES™ PACKAGE, ESCAPE OFFERS AN ARRAY OF MODELS THAT CAN TAME THE ROAD AND TRAIL. CHOOSING WHICH ONE FITS YOUR LIFE BECOMES A SIMPLE PROCESS OF NATURAL SELECTION.

ESCAPE : EXPLORER SPORT TRAC : EXPLORER : EXPEDITION : EXCURSION



3.0L DOHC Duratec V6
16" aluminum wheels
6-way power driver's seat
6-disc in-dash CD
Perimeter alarm
Privacy glass

Anti-lock braking system (ABS)
Steering wheel-mounted speed controls
Fog lamps
Available leather-trimmed seats
Available power moonroof
Available Class II Trailer Tow Package

XLT



Escape XLT in Aspen Green Metallic. Shown with moonroof deflector accessory. Shown on cover: Escape Limited in Gold Ash Metallic.

THE MOST HIGHLY EVOLVED SUVs ON EARTH :- Or anywhere else.

FROM NIMBLE RUNABOUT TO FULL-SIZE FAMILY HAULER, YOU'LL FIND THE ANSWER TO YOUR SPORT UTILITY VEHICLE NEEDS IN ONE OF THE BROADEST LINES OF SUVs ANYWHERE. THE 2004 FORD LINEUP - ESCAPE, EXPLORER SPORT TRAC, EXPLORER, EXPEDITION AND EXCURSION - DESCENDS FROM SOME OF THE BEST OF THE ROAD'S RUGGED WARRIORS. LIKE THE ORIGINAL EXPLORER THAT BROUGHT THE SUV TO THE FOREFRONT. OR THE 9-PASSENGER EXPEDITION THAT CONTINUES TO TAKE ADVENTURERS ALMOST ANYWHERE THEY WANT TO GO. WHATEVER YOUR NEEDS, YOU NEED LOOK NO FURTHER. YOUR ANSWER'S HERE.

ESCAPE IS AN OBVIOUS DESCENDANT OF SOME OF THE MOST CAPABLE SUVs ON THE ROAD. ITS SPORTY GOOD LOOKS, AVAILABLE 201-HP V6 AND ENDLESS VERSATILITY ARE ALL PRODUCTS OF THIS STRONG LINEAGE. FROM THE LEATHER-TRIMMED AND WELL-EQUIPPED LIMITED, TO THE RUGGED XLT NO BOUNDARIES™ PACKAGE, ESCAPE OFFERS AN ARRAY OF MODELS THAT CAN TAME THE ROAD AND TRAIL. CHOOSING WHICH ONE FITS YOUR LIFE BECOMES A SIMPLE PROCESS OF NATURAL SELECTION.

ESCAPE :- EXPLORER SPORT TRAC :- EXPLORER :- EXPEDITION :- EXCURSION



3.0L DOHC Duratec V6
16" aluminum wheels
6-way power driver's seat
6-disc in-dash CD
Perimeter alarm
Privacy glass

Anti-lock braking system (ABS)
Steering wheel-mounted speed controls
Fog lamps
Available leather-trimmed seats
Available power moonroof
Available Class II Trailer Tow Package

XLT



Escape XLT in Aspen Green Metallic. Shown with moonroof deflector accessory. Shown on cover: Escape Limited in Gold Ash Metallic.

WHAT MAKES THIS SPECIES SO SPECIAL?



Fun to Drive

Pages 4-5

PERFECT SIZE
NIMBLE HANDLING
4-WHEEL INDEPENDENT SUSPENSION
AVAILABLE 201-HP DURATEC V6



Adaptability

Pages 6-7

FRONT-WHEEL DRIVE
AVAILABLE CONTROL TRAC® II 4-WHEEL-DRIVE SYSTEM
AVAILABLE NO BOUNDARIES™ RACK SYSTEM
3500-LB. TRAILER TOWING CAPACITY*

*Properly equipped, with available V6 engine.



Inner Harmony

Pages 8-13

COMFORTABLE 5-PASSENGER SEATING
69.2 CU. FT. MAXIMUM CARGO CAPACITY
133.2 CU. FT. TOTAL INTERIOR SPACE
EASY-ACCESS LIFTGATE WITH FLIP-UP GLASS
AVAILABLE HEATED SEATS
AVAILABLE LEATHER-TRIMMED SEATS



Peace of Mind

Pages 14-15

OUTSTANDING CRASH TEST PERFORMANCE
2ND GENERATION DRIVER AND FRONT-PASSENGER AIRBAGS
SIDE-INTRUSION DOOR BEAMS
AVAILABLE ANTI-LOCK BRAKES
AVAILABLE FRONT SIDE-IMPACT AIRBAGS



Make It Your Own

Pages 16-21

MODELS AND PACKAGES TO FIT YOUR LIFESTYLE
8 COLOR CHOICES
GREAT-LOOKING WHEELS
DEALER-INSTALLED ACCESSORIES

GENETICALLY ENGINEERED FOR ADVENTURE.

SIMPLY PUT, ESCAPE BRINGS TOGETHER A COLLECTION OF ELEMENTS TO ALTER YOUR DRIVING EXPERIENCE COMPLETELY. DAILY COMMUTES TAKE ON A NEW SENSE OF FUN, WHILE WEEKENDS BECOME YOUR PORTAL TO ADVENTURE. WITH THE CAPABLE 2.0L ZETEC I4 OR SPORTY 3.0L DURATEC V6, FEISTY HORSEPOWER AND TORQUE COMBINE WITH A FULLY INDEPENDENT REAR SUSPENSION TO GIVE ESCAPE SPIRITED, NIMBLE HANDLING AND A SMOOTH, COMFORTABLE RIDE. AGILE ON ANY ROAD OR TRAIL, ESCAPE REALIZES ITS FULL POTENTIAL OUT OF BOUNDS WITH AVAILABLE 4X4 CAPABILITY. DESIGNED TO SATISFY YOUR SENSE OF ADVENTURE, ESCAPE IS READY FOR YOU TO STEP UP AND TAKE YOUR TURN.



3.0L DOHC Duratec V6 with 201 hp

FULLY INDEPENDENT REAR SUSPENSION :: COMFORTABLE RIDE

AVAILABLE 201-HP 3.0L DURATEC V6 :: POWERFUL RIDE

AVAILABLE ANTI-LOCK BRAKES :: CONFIDENT STOPPING POWER

4X4 CAPABILITY :: FREEDOM TO ROAM

2.0L ZETEC I4 :: PEPPY DRIVING

All XLT standard features, plus these exclusives:

Painted Dark Shadow Grey lower bodyside cladding, bumpers and wheel-lip moldings for a bold two-tone look
Black side step bars

16" bright machined-aluminum wheels
P235/70R16 all-season OWL tires

XLT APPEARANCE PACKAGE



Escape XLT with XLT Appearance Package, in Satin Silver Metallic.

All XLT standard features, plus these exclusives:

- | | |
|------------------------------|----------------------------------|
| No Boundaries™ Rack System | Black side step bars |
| Class II Trailer Tow Package | 16" painted aluminum wheels |
| Wheel-lip moldings | P235/70R16 all-terrain OWL tires |

XLT NO BOUNDARIES PACKAGE

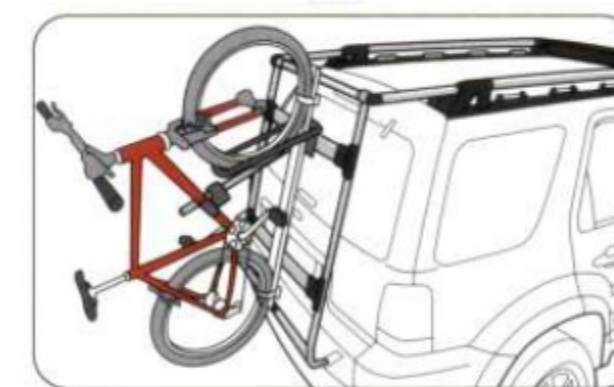
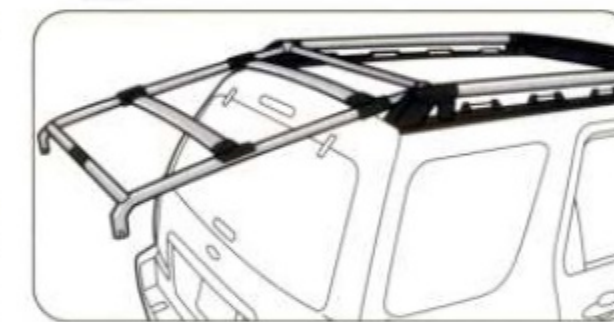


Escape XLT with XLT No Boundaries Package, in Red Fire Metallic.

No Boundaries™ Rack System

With the XLT No Boundaries Package, your Escape literally morphs into an adventure hauler. Stow your gear easily and safely aboard this ingenious system and enjoy the freedom of taking off to parts unknown.

- 1 Up top, the roof rack has adjustable crossbars that support up to 100 lbs. of gear.
- 2 To accommodate another 100 lbs. of gear, simply unlock the rack, pull it down and snap it into position over the liftgate. Carry items on both racks at the same time to maximize loading.
- 3 Designed to carry larger items like bikes (requires JAC Vertical Bike Holder, shown on page 17), skis and snowboards, the No Boundaries Rack System is easy to use and transports gear safely.



A MARVEL OF MOBILITY.

BEYOND A FOUNDATION OF AGILE HANDLING AND SUV VERSATILITY, ESCAPE IS READY FOR EVERY CHANGE OF PLAN. IT CAN EASILY TAKE YOU FROM WORK, TO PICK UP FRIENDS, AND INTO A GOOD CAMPSITE BEFORE NIGHTFALL. FOR THOSE WHO LOVE THE FREEDOM TO EXPLORE, ESCAPE 4X4 CAN GET YOU TO MOUNTAIN SKI LODGES, THROUGH MUDDY TWO-TRACKS AND OVER ROCKY ROADS. ITS CONTROL TRAC® II 4-WHEEL-DRIVE SYSTEM PROVIDES TWO DRIVER-SELECTABLE MODES. IN "4X4 AUTO" THE VEHICLE OPERATES IN FRONT-WHEEL DRIVE FOR MOST DRIVING CONDITIONS. IF WHEEL SLIPPAGE OCCURS, IT AUTOMATICALLY SENDS MORE TORQUE TO THE REAR AXLE. FOR ENHANCED TRACTION IN THE ROUGH STUFF, A "4X4 ON" MODE SENDS POWER TO BOTH THE FRONT AND REAR AXLES TO FORM A SINGLE DRIVING UNIT. SO AS ROAD CONDITIONS CHANGE, ESCAPE 4X4 ADAPTS AT THE TURN OF A SWITCH.



Should your form of outdoor recreation require a boat or a pair of personal watercraft, don't worry. Escape can tow up to 3,500 lbs. when properly equipped.





64.8 CU. FT. OF CARGO VOLUME
(WITH 2ND ROW FOLDED)

41.6" Front-Seat Leg Room



33.1 cu. ft. Behind 2nd Row



Easy-Access Liftgate with Flip-Up Glass

WELL SUITED TO LIFE'S GROWTH SPURTS.

DESPITE ITS SMALL FOOTPRINT, THERE'S AMPLE ROOM IN ESCAPE FOR THE PEOPLE (UP TO 5), PETS (YOUR CHOICE) AND PROPS (HOW MUCH YA' GOT?) YOU SURROUND YOURSELF WITH. FRONT LEG ROOM ABOUNDS, AND CARGO VOLUME IS EQUALLY IMPRESSIVE. IN FACT, ITS 33.1 CU. FT. OF REAR CARGO SPACE MAY BE ONE OF THE REASONS *SMARTMONEY* MAGAZINE (3/03) NAMED ESCAPE "BEST SMALL SUV." TO STOW ITEMS UNDER WRAPS, CHOOSE THE CARGO AREA RETRACTABLE COVER (STANDARD ON LIMITED). 60/40 SPLIT-FOLDING REAR SEATS (STANDARD ON XLT AND LIMITED) ARE PERFECT FOR CARRYING LONG ITEMS. AS ADVENTURES EVOLVE AND EXPERIENCES EXPAND, YOUR NEED FOR SPACE GROWS. IN ESCAPE, IT ALL FITS.



Standard 3.0L Duratec V6*
AM/FM stereo with CD player
Remote keyless entry

Power windows, locks and mirrors
15" styled-steel wheels

*2.0L Zetec I4 standard on XLS Value.

XLS

A NATURAL ORDER EXISTS.

FOR LIFE'S MANY FACETS TO WORK IN HARMONY, SOME KEY ESSENTIALS MUST BE CLOSE AT HAND. WHEN DRIVING, YOU WANT A FINE-TUNED INTERIOR TO HANDLE YOUR ORCHESTRATIONS. FROM THE LARGE, WELL-LIT INSTRUMENT PANEL TO THE ACCESSIBLE BUTTONS AND SWITCHES, ESCAPE FEELS RIGHT. EVERYTHING, INCLUDING CUPHOLDERS AND THE SWITCH FOR THE AVAILABLE 4X4, IS EXACTLY WHERE IT SHOULD BE. "COMBINING EASY-TO-READ WHITE-FACE GAUGES, OVERSIZE SWITCHGEAR AND (AVAILABLE) LEATHER SEATING SURFACES, THE FOLKS AT FORD NAILED THE ESCAPE'S INTERIOR DESIGN WITH A 20-LB. SLEDGE," SAID *MOTOR TREND* MAGAZINE. BY OFFERING A NATURAL ORDER – A PERFECT INNER BALANCE – ESCAPE INSTILLS A SATISFYING FEELING OF DRIVING CONFIDENCE. AS IT SHOULD BE.

- 1 With 6 directions of motion, Escape's power driver's seat helps you reach the optimum level of driving comfort. Standard on XLT and Limited.
- 2 This AM/FM 6-disc in-dash CD audio system with 4 speakers is at the heart of Escape XLT's and Limited's pleasing standard equipment.
- 3 Escape's available power moonroof (XLT and Limited only) either tilts open, retracts completely, or offers an interior shade and solar-tinted glass.



1



2



3



Escape XLT with Medium/Dark Flint leather-trimmed seats. Shown with optional side-impact airbags.

SURVIVAL OF THE FINEST.

ESCAPE CONTINUES TO MEET HIGHER AND HIGHER STANDARDS. AT THE TOP OF THIS ORDER IS ESCAPE LIMITED. WITH A MONOCHROMATIC EXTERIOR AND 16" BRIGHT MACHINED-ALUMINUM WHEELS, LIMITED SETS THE STANDARD FOR ESCAPE LUXURY AND REFINEMENT. COMFORT IS INHERENT IN THE PREMIUM LEATHER-TRIMMED SEATS AND LEATHER-WRAPPED STEERING WHEEL. WHILE LIMITED PROVIDES ADDED SAFETY FEATURES LIKE FRONT SIDE-IMPACT AIRBAGS, IT ALSO OFFERS THE EXTRAS OF AN AVAILABLE LUXURY COMFORT PACKAGE THAT INCLUDES THE MACH® AUDIO SYSTEM WITH A 6-DISC IN-DASH CD CHANGER, DRIVER AND FRONT-PASSENGER HEATED SEATS, HEATED SIDEVIEW MIRRORS AND THE REVERSE SENSING SYSTEM. WITNESS THIS PINNACLE OF PROGRESS AND YOU'LL FIND ESCAPE LIMITED NOTHING SHORT OF BRILLIANT.

The available Luxury Comfort Package on Limited includes these items:

- 1 Nothing beats the comfort of heated driver and front-passenger seats to ward off an early-morning chill.
- 2 The Reverse Sensing System alerts the driver, through a series of beeps, to the presence of certain objects behind the vehicle when backing up.
- 3 Supreme sound blasts through 7 speakers with the MACH audio system with automatic volume control.
- 4 Handy heated, power sideview mirrors improve driver visibility by melting snow and ice buildup.



Premium leather-trimmed seats
Auto-dimming rearview mirror
Retractable cargo area cover
Sun visors with illuminated mirrors
Monochromatic exterior appearance
Side-impact airbags

16" bright machined-aluminum wheels
Available Luxury Comfort Package
Available power moonroof
Available Class II Trailer Tow Package
Available MACH® audio system with
6-disc in-dash CD changer

LIMITED



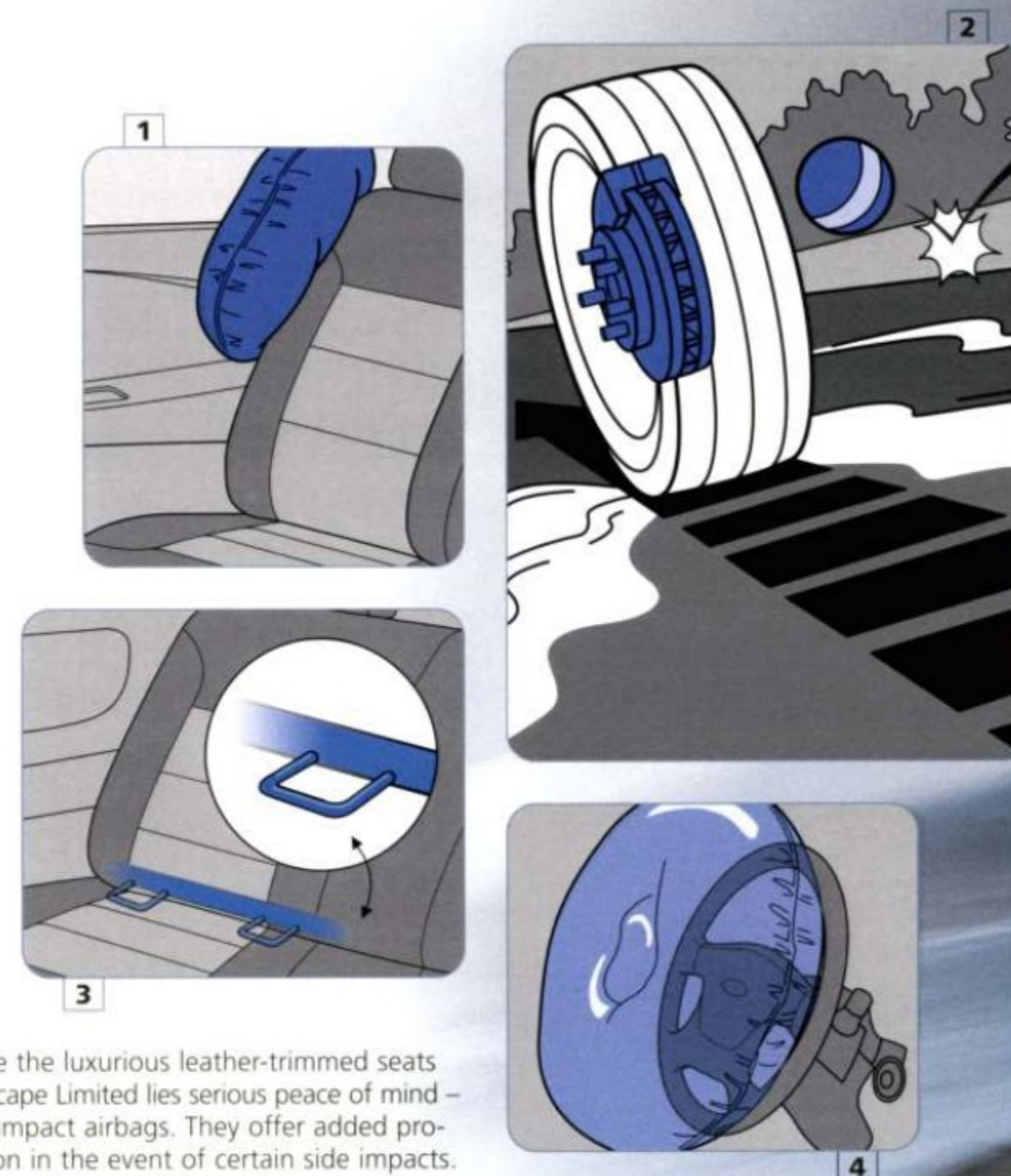
Escape Limited in Satin Silver Metallic.

SAFETY IS ITS STRUCTURAL DNA.

ESCAPE HAS FEATURES THAT MAXIMIZE THE SAFETY AND SECURITY OF ITS DRIVER AND PASSENGERS. IN FACT, THE NATIONAL HIGHWAY TRAFFIC SAFETY ADMINISTRATION (NHTSA) GAVE ESCAPE THE HIGHEST GOVERNMENT SIDE-IMPACT SAFETY RATING, PLUS A 5-STAR RATING FOR DRIVER-SIDE FRONTAL CRASH TESTING, AND A 4-STAR RATING FOR PASSENGER-SIDE FRONTAL CRASH TESTING. IN ADDITION, WITH OPTIONAL SIDE-IMPACT AIRBAGS, ESCAPE EARNED THE HIGHEST RATING FOR SIDE-IMPACT CRASHWORTHINESS FROM THE INSURANCE INSTITUTE FOR HIGHWAY SAFETY (IIHS).

THE IMPRESSIVE STRUCTURE THAT HELPED EARN THESE HIGH MARKS STARTS WITH STURDY UNIBODY CONSTRUCTION AND CRUMPLE ZONES THAT DISSIPATE ENERGY AWAY FROM THE PASSENGER COMPARTMENT. SIDE-INTRUSION DOOR BEAMS HELP REDUCE PASSENGER COMPARTMENT PENETRATION, AND SOLID-STEEL SUPPORTS PROVIDE STRUCTURAL STABILITY AND ENERGY ABSORPTION. THE STANDARD SECURILOCK® PASSIVE ANTI-THEFT SYSTEM, REMOTE KEYLESS ENTRY SYSTEM, AND AVAILABLE PERIMETER ALARM HELP KEEP THINGS SECURE.

KNOWING THAT *KIPLINGER'S PERSONAL FINANCE* MAGAZINE NAMED THE FORD ESCAPE XLS "BEST IN SAFETY" IS SIMPLY MORE EVIDENCE THAT SAFETY DOMINATES ESCAPE'S ENGINEERING.



- 1 Inside the luxurious leather-trimmed seats of Escape Limited lies serious peace of mind – side-impact airbags. They offer added protection in the event of certain side impacts. Also available on XLS and XLT.
- 2 For improved stopping power and steering control, Escape XLT and Limited models are equipped with a standard 4-wheel anti-lock braking system. Also available on XLS.
- 3 Securely fasten child safety seats in the rear outboard positions with the LATCH system. Its top tether anchors are mounted in the roof, while lower anchors (shown) can be found in the seats.
- 4 2nd Generation front airbags, a vital aspect of safety, are standard on all Escape models.

Driver and front-passenger airbags
SecuriLock® passive anti-theft system
Sturdy unibody construction
Side-intrusion door beams
LATCH system for compatible aftermarket child seats

Belt-Minder® System
Available side-impact airbags
Available anti-lock brakes
Available perimeter alarm

SAFETY FEATURES



Escape XLT with XLT Appearance Package, in Black.

PRAISE FOR ESCAPE

"BEST SMALL SUV"
— *SmartMoney* magazine 3/03

"EDITORS' MOST WANTED VEHICLE FOR 2003, 2002, 2001:
MOST WANTED COMPACT SUV"
— *Edmunds.com*

"SMALL UTES FOR THE LONG HAUL: TOP PICK —
FORD ESCAPE"
— *AMI Auto World* magazine

"BEST IN SAFETY (2003)" — FORD ESCAPE XLS
— *Kiplinger's Personal Finance* magazine

"SUBSTANTIAL-FEELING, ROOMY, COMFORTABLE, EVEN
FUN-TO-DRIVE, ESCAPE IS A COMPACT SUV ALL-STAR."
— *Consumer Guide*

"COMBINES THE RUGGEDNESS OF A SPORT UTILITY VEHICLE
WITH AN UNMATCHED LEVEL OF INTERIOR COMFORT."
— *New-cars.com*

"THE FORD ESCAPE IS A SMALL, RUGGED SUV THAT
PROVIDES AN ADVENTUROUS, RESPONSIVE RIDE, SHARP
HANDLING AND A STYLISH INTERIOR PACKAGE."
— *Car Buying Strategies*

"OVERALL, WE FEEL THE ESCAPE IS THE BEST SUV IN
ITS CLASS." — 2003 ESCAPE
— *NewCarTestDrive.com*



Escape XLT with XLT No Boundaries™ Package, in Red Fire Metallic.

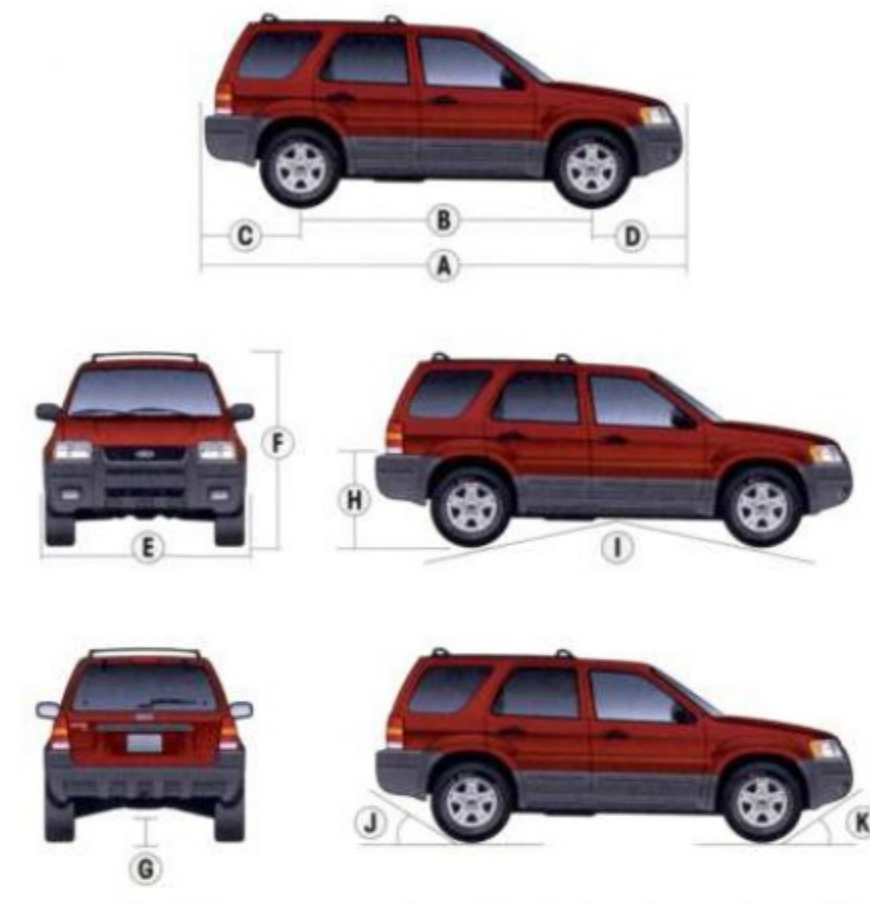
DEALER ACCESSORIES

See your dealer for these and other great Ford Dealer-installed accessories.



- 1 Not only does the Rear-Seat DVD Entertainment System offer fun recreation for passengers, it can provide a feeling of home for everyone at the end of the road.
- 2 You'll feel secure with a remote start, which allows you to start your vehicle, turn on the interior lights, flash the headlamps and sound the horn in an emergency, from up to 500 feet away.
- 3 Take your Escape to a new level of style with these chrome taillight surrounds.
- 4 Stabilize your gear and keep your cargo area looking good with this heavy-duty cargo organizer.
- 5 With the keyless entry keypad, locking your keys in the car is no longer cause for alarm. Just enter your programmed code and you're in. And since it operates by radio frequency, there's no hardware required for mounting.
- 6 The JAC Vertical Bike Holder, in tandem with the Escape XLT No Boundaries™ Rack System, allows you to take your bike along on your adventure. The JAC VBH is simple, lightweight and easy to use.
- 7 These stainless steel scuff plates are designed to not only look good, but also to help protect the sill from minor scuffs and scratches. Self-stick adhesive makes installation a snap.

DIMENSIONS



Exterior	4x2/4x4
A. Overall length	173.0"
B. Wheelbase	103.1"
C. Overhang - rear	36.4"
D. Overhang - front	33.4"
E. Overall width	70.1"
F. Height	69.1"
G. Ground clearance (min.)	7.8"
H. Loadfloor height	29.3"
I. Ramp breakover angle	20.0°
J. Angle of departure	22.0°
K. Angle of approach	28.5°

Interior	
Front	
Head room	40.4"
Shoulder room	56.3"
Hip room	53.4"
Leg room	41.6"
Leg room (max.)	42.7"
Rear	
Head room	39.2"
Shoulder room	55.9"
Hip room	49.0"
Leg room	36.4"
Cargo Volume (cu. ft.)	
Maximum cargo volume (2nd-row cushion removed)	69.2
Cargo volume (2nd row folded)	64.8
Behind 2nd row	33.1

STANDARD FEATURES

Mechanical

- 4-wheel independent suspension
- 100,000-mile tune-up interval*
- Axle ratio - 2.93:1
- Battery saver
- Control Trac® II 4-wheel-drive system (4x4 models only)
- Front-wheel drive
- Fuel tank - 16-gallon capacity
- Power rack-and-pinion steering
- Stabilizer bar - Front
- Unibody construction

Safety/Security

- Airbags** - Driver and front-passenger 2nd Generation
- Automatic headlamps-off with delay
- Belt-Minder® safety belt reminder
- Brake/shift interlock with automatic transmission
- Fuel pump inertia shutoff switch
- Headlamps-on alert chime
- Height-adjustable shoulder safety belts - Front
- Key-in-ignition alert chime
- LATCH system for child safety seats - Rear outboard positions
- Remote keyless entry system with 2 key fobs
- Safety belt energy management retractors - Front
- Safety belt pretensioners - Front
- SecuriLock® passive anti-theft system
- Side-intrusion door beams

Seating

- Front bucket seats
- Rear bench seat with tip-fold-flat latch
- Removable rear seat cushion

Interior

- Accessory delay for power windows
- Air conditioning
- Assist handles - 4 front, 2 rear
- Cargo area floor hooks (4)
- Floor console - Storage bin and cupholders
- Glove compartment with lock
- Head restraints - Adjustable (4)
- Illuminated entry system
- Power door locks with rear-door child safety locks
- Power points - 2 front
- Power windows - With one-touch-down driver's-side feature
- Rear floor heat ducts
- Tachometer
- Tilt steering wheel
- Visor vanity mirrors - Dual-covered

Exterior

- Bodyside cladding and bumpers - Grey molded-in color on XLS/XLT models, painted body color on Limited (monochromatic)
- Headlamps - Aerodynamic halogen
- Liftgate with flip-up glass
- Power outside mirrors with manual-fold feature
- Rear defroster
- Roof side rails (with crossbars on XLT and Limited)
- Solar-filted glass (door glass and liftgate)
- Windshield wipers - Front: variable-intermittent with washer, rear: 2-speed with washer

*Under normal driving conditions with regular fluid and filter changes.
**Always wear your safety belt and secure children in the rear seat.

MODEL-SPECIFIC FEATURES/OPTIONS

	XLS Value FWD	XLS FWD or 4x4	XLT FWD or 4x4	Limited FWD or 4x4
Mechanical				
	●	●	●	●
2.0L DOHC Zetec I4 engine	—	●	●	●
3.0L DOHC Duratec V6 engine	—	●	●	●
5-speed manual transaxle	—	●	●	●
4-speed automatic transaxle	—	●	●	●
15" styled-steel wheels	—	●	●	●
15" aluminum wheels	○	○	○	○
16" aluminum wheels	—	—	●	●
16" bright machined-aluminum wheels	—	—	●	●
P225/70R15 all-season BSW tires	●	●	●	●
P235/70R16 all-season BSW tires (OWL on XLT 4x4)	—	—	●	●
P235/70R16 all-season OWL tires (FWD only)	—	—	○	○
Safety/Security				
4-wheel anti-lock braking system (ABS)	○	○	○	○
Side-impact airbags** - Driver and front-passenger	○	○	○	○
Seating				
Cloth trim	●	●	—	—
Cloth trim - Premium grade	—	—	●	●
6-way power driver's seat	—	—	●	●
Rear 60/40 split-bench seat with tip-fold-flat latch	—	—	●	●
Premium leather-trimmed seats	—	—	—	●
Interior				
AM/FM stereo with single-CD player, clock and 4 speakers	●	●	—	—
AM/FM stereo with single-CD/cassette, clock and 4 speakers	—	—	○	○
AM/FM stereo with 6-disc in-dash CD changer and 4 speakers	—	—	●	●
AM/FM MACH® audio system with 6-disc in-dash CD changer and 7 speakers	—	—	○	○
Auto-dimming rearview mirror with automatic headlamps	—	—	●	●
Convenience Group	○	○	●	●
- Speed control				
- Perimeter alarm				
- Front and rear carpeted floor mats				
Floor console - With storage bin and 5 cupholders	●	●	—	—
Floor console - With storage bin, armrest and 4 cupholders	—	●	●	●
Leather Comfort Group	—	—	○	○
- Leather-trimmed seats				
- Black leather-wrapped steering wheel				
Luxury Comfort Package	—	—	○	○
- MACH® audio system with 6-disc in-dash CD changer, 7 speakers and automatic volume control				
- Dual heated sideview mirrors				
- Premium leather-trimmed driver and front-passenger heated seats				
- Reverse Sensing System				
Overhead console with dual storage bins (not available with power moonroof)	—	—	●	●
Painted finish on instrument panel and front-door switch bezels	—	—	●	●
Retractable cargo area cover	○	○	○	○
Visor vanity mirrors - Illuminated	—	—	●	●

	XLS Value FWD	XLS FWD or 4x4	XLT FWD or 4x4	Limited FWD or 4x4
Exterior				
Fog lamps	—	●	●	●
Grille - Black surround with mesh center	●	●	—	—
Grille - Chrome surround with mesh center	—	—	●	●
Power moonroof with sunshade and mini overhead console	—	—	○	○
Privacy glass (rear doors/quarter windows and rear window)	—	—	●	●
Roof rack crossbars	○	○	●	●
Side step bars ¹	○	○	●	●
Trailer Tow Package - Includes Class II 3500-lb. receiver, 4-pin trailer wiring harness and engine oil cooler	—	—	○	○
Wheel-lip moldings - Body color	—	—	●	●
XLT Appearance Package	—	—	○	○
- Painted Dark Shadow Grey bodyside cladding, bumpers and wheel-lip moldings				
- Side step bars - Black				
- 16" bright machined-aluminum wheels				
XLT No Boundaries™ Package	—	—	○	○
- No Boundaries Rack System				
- Class II Trailer Tow Package				
- Wheel-lip moldings				
- 16" painted aluminum wheels				
- Side step bars				
- All-terrain OWL tires				

● Standard ○ Optional — Not Available

¹Requires 15" aluminum wheels/tires on XLS models.

Comparisons based on 2003 competitive models, publicly available information and Ford certification data at time of printing. Some features discussed may be optional. Vehicles shown may contain optional equipment. Features shown may be offered only in combination with other options or subject to additional ordering requirements or limitations. Following publication of the catalog, certain changes in standard equipment, options and the like, or product delays, may have occurred which would not be included in these pages. Your Ford Dealer is the best source for up-to-date information. Ford Division reserves the right to change product specifications at any time without incurring obligations.

WHEELS



15" Styled-Steel Wheel Standard on XLS Value and XLS
15" Aluminum Wheel Optional on XLS Value and XLS



16" Aluminum Wheel Standard on XLT
16" Painted Aluminum Wheel Included in XLT No Boundaries™ Package



16" Bright Machined-Aluminum Wheel Included in XLT Appearance Package
16" Bright Machined-Aluminum Wheel Standard on Limited

ENGINES



2.0L DOHC Zetec I4 Engine



3.0L DOHC Duratec V6 Engine

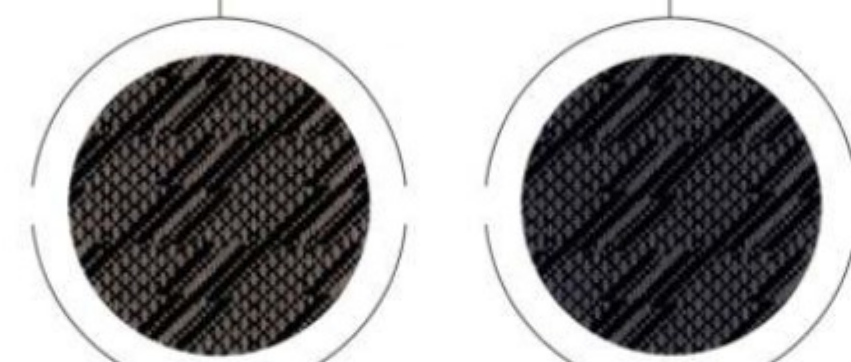
	2.0L I4	3.0L V6
Horsepower (hp @ rpm)	127 @ 5400	201 @ 5900
Torque (lb.-ft. @ rpm)	135 @ 4500	196 @ 4700
Axle ratio	2.93:1	2.93:1
Towing capacity* (lbs.)	1000	2000 3500**

*Maximum capacity shown is for properly equipped vehicles with required equipment and a 150-lb. driver. Weight of additional options, equipment, passengers and cargo must be deducted from this weight. For additional information, see your Ford Dealer.
**With Class II Trailer Tow Package.

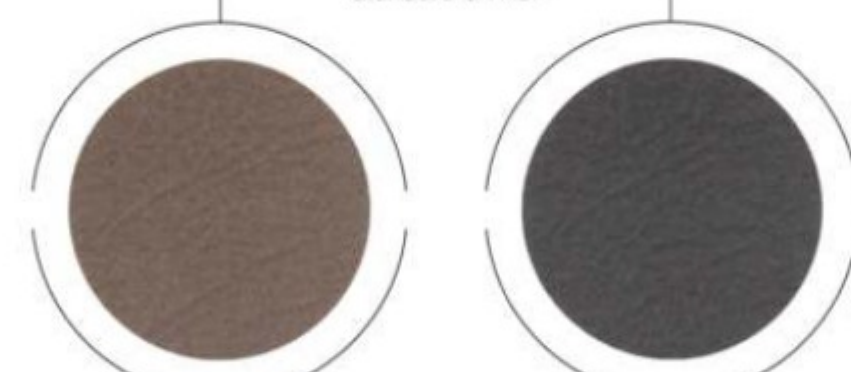
INTERIOR/EXTERIOR COLORS



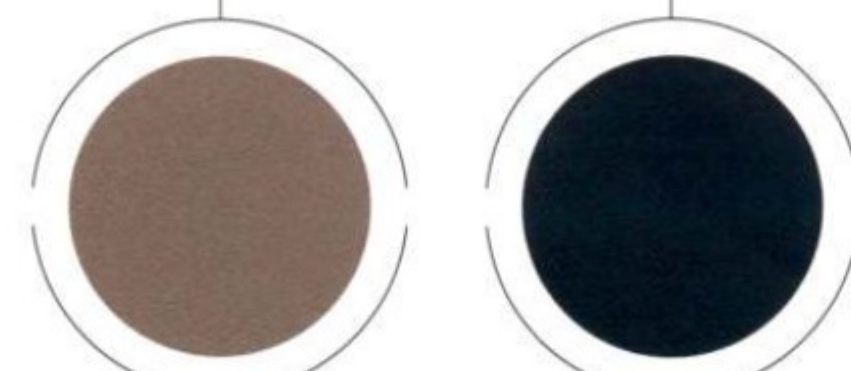
Medium/Dark Pebble Cloth Standard on XLS Value and XLS
Medium/Dark Flint Cloth Standard on XLS Value and XLS



Medium/Dark Pebble Premium Cloth Standard on XLT
Medium/Dark Flint Premium Cloth Standard on XLT



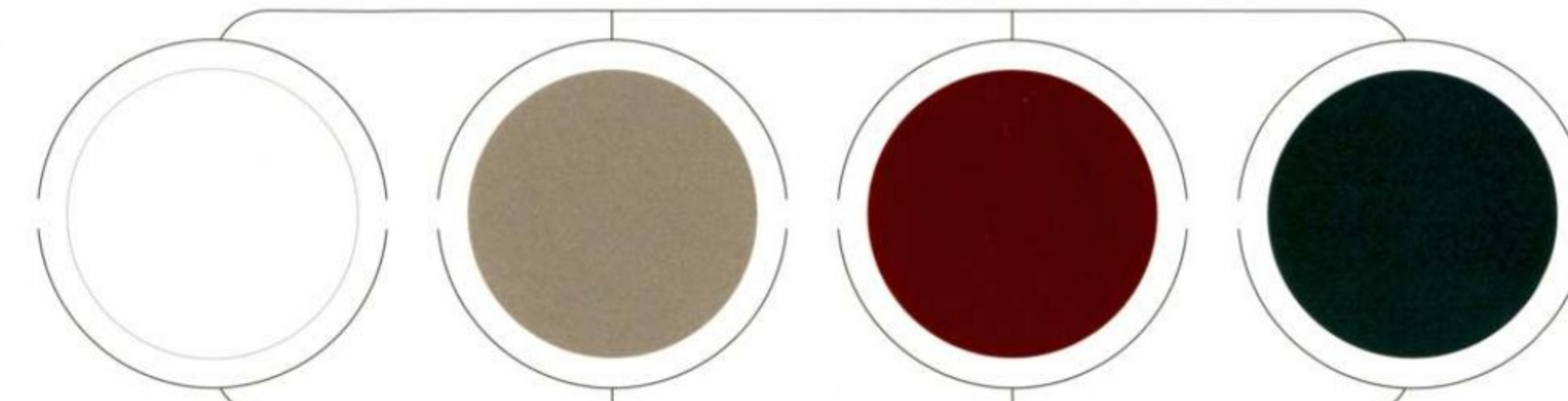
Medium/Dark Pebble Leather Optional on XLT
Medium/Dark Flint Leather Optional on XLT



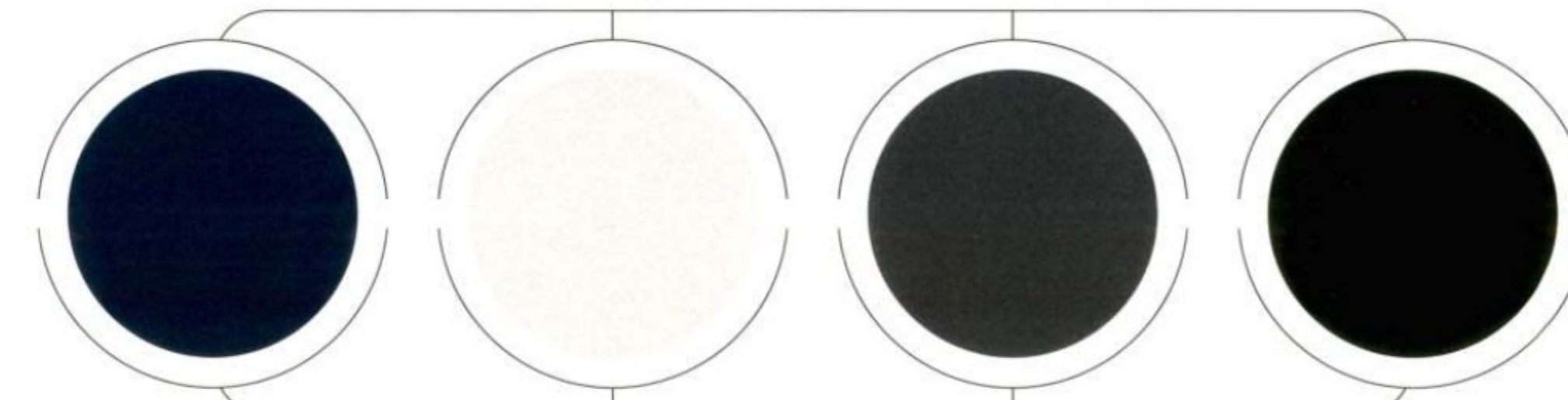
Dark Pebble Premium Leather Standard on Limited
Ebony Black Premium Leather Standard on Limited

- ● Medium/Dark Pebble
- ● Medium/Dark Flint
- ● Ebony Black
- ● XLS/XLT
- ● Oxford White
- ● Gold Ash Metallic
- ● Red Fire Metallic
- ● Aspen Green Metallic
- ● True Blue Metallic
- ● Satin Silver Metallic
- ● Dark Shadow Grey Metallic
- ● Black
- ● XLT No Boundaries™ Package
- ● Oxford White
- ● Gold Ash Metallic
- ● Red Fire Metallic
- ● Aspen Green Metallic
- ● True Blue Metallic
- ● Satin Silver Metallic
- ● Dark Shadow Grey Metallic
- ● Black
- ● XLT Appearance Package
- ● Oxford White
- ● Red Fire Metallic
- ● Aspen Green Metallic
- ● True Blue Metallic
- ● Satin Silver Metallic
- ● Black
- ● Limited
- ● Gold Ash Metallic
- ● True Blue Metallic
- ● Satin Silver Metallic
- ● Dark Shadow Grey Metallic
- ● Black

Ford uses clearcoat paint for beauty and protection. Colors shown are representative only. See your dealer for actual paint/trim options.



Oxford White Gold Ash Metallic Red Fire Metallic Aspen Green Metallic



True Blue Metallic Satin Silver Metallic Dark Shadow Grey Metallic Black

Ford Credit Get the ride you want. Whether you plan to lease or finance, you'll find the choices that are right for you at Ford Credit. Ask your Ford Dealer for details or check us out at fordcredit.com.

Ford EXTENDED SERVICE PLAN

For a purchase or lease, the Ford Extended Service Plan gives you "Peace-of-Mind" protection designed to cover key vehicle components and protect you from the cost of unexpected repairs. Ask your dealer for an ESP backed by Ford Motor Company and honored at all Ford dealerships.

Ford Ford Motor Company Insurance Services

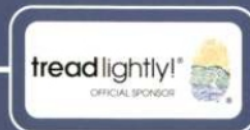
Choose the insurance program that's designed for your vehicle - Ford Motor Company Insurance Services. Our program helps you receive the rates and service you deserve. Call 1-877-367-3847 or visit us at fordvip.com for a no-obligation quote. Insurance offered by American Road Services Company (in CA, American Road Insurance Agency), a licensed agency and subsidiary of Ford Motor Company.



IF YOU HAVEN'T LOOKED AT FORD LATELY...
LOOK AGAIN.



Ford is working closely with the National Park Foundation to help develop innovative transportation and environmental solutions that enable visitors to enjoy America's National Parks without compromising their beauty.



Ford is a proud Partner in Education and Founding Member of **Tread Lightly!** Through Education, Restoration and Research, Tread Lightly! empowers generations to enjoy the outdoors responsibly.