

# 06 LINCOLN MARK LT



LINCOLN



Lincoln Mark LT in Black (top) and Silver Metallic (bottom) with available equipment.





LINCOLN



# COLOR PALETTE



LINCOLN

lincoln.com

PLEASE REFERENCE THE SPECIFICATIONS CARD OF YOUR LINCOLN VEHICLE FOR THE AVAILABILITY OF SPECIFIC COLOR PALETTE COMBINATIONS.

## LINCOLN BRAND EXTERIOR PAINT COLORS



CERAMIC WHITE  
PEARLESCENT TRI-COAT



VIBRANT WHITE



OXFORD WHITE



VIVID RED



MERLOT



DARK TOREADOR RED



DARK CHERRY



LIGHT TUNDRA



LIGHT ICE BLUE



DARK BLUE PEARL



LIGHT SAGE



CASHMERE TRI-COAT



SMOKESTONE



DUNE PEARL



LIGHT FRENCH SILK



CHARCOAL BEIGE



SILVER



SILVER FROST



SILVER BIRCH



SATELLITE SILVER



PEWTER



TUNGSTEN GREY



DARK SHADOW GREY



BLACK

Lincoln Mercury reserves the right to change product specifications at any time without incurring obligations. Please see your Lincoln Mercury Dealer for actual paint/trim options. Lincoln uses clearcoat paint for beauty and protection. All exterior paints are Metallic except for Ceramic White Pearlescent Tri-Coat, Vibrant White, Oxford White, Cashmere Tri-Coat and Black. Colors are representative only.



LINCOLN BRAND LEATHER SEAT TRIM



LIGHT PARCHMENT



SAND



LIGHT STONE



MEDIUM LIGHT STONE



LIGHT CAMEL



CAMEL



DOVE



DOVE GREY



DARK CHARCOAL



CHARCOAL BLACK



BLACK





Your shining armor arrives. Gleaming waterfall grille. Brilliant chrome accents. From every angle, there's a polished perfection to the rich, visual presence of the 2006 Lincoln Mark LT.



Long synonymous with the ultimate in luxury, the Lincoln star is now emblazoned on a shining suit of armor that takes luxury as far as you want to go. In this new territory, lavish luxury and unyielding strength coexist in complete harmony. Other automakers have tried to bring these disparate elements together. Leave it to Lincoln to be the first to succeed. On the streets of New York. The vineyards of California. The ranches of Texas. And all points in between. The confidence to go wherever you choose is now being served – on a silver platter. In the 2006 Lincoln Mark LT, you'll rule luxury.

**INTERIOR LUXURY**

- Rich, Leather-Trimmed Seats
- 4 Full-Sized Doors
- Inviting Roominess



Lincoln Mark LT leather-trimmed seats in Dove Grey with Black piping.



Raise your *Mark*. In Lincoln Mark LT, the pinnacle of expressive comfort is at your service. So whether you tow, haul or even take some less-traveled roads, just relax, enjoy, and revel in Mark LT's powerful performance and true Lincoln luxury.

With 4 full-size doors that open wide for easy entry and exit, up to 5 people can enjoy rich, leather-trimmed seats and luxurious accommodations in Lincoln Mark LT. A hushed interior results from Mark LT's class-exclusive\* use of Quiet Steel® laminate for the dash panel and oil pan. A viscoelastic layer that's bonded between 2 layers of steel to absorb sound, Quiet Steel® technology helps to eliminate the transfer of engine compartment sound and resonance into the passenger cabin. There, dual reclining, heated seats cradle front-row occupants, while a 60/40 split flip-up seat with folding armrest brings up the rear.

For those who prefer open-air cruising, an available power moonroof lets the sun in. In Mark LT, everyone travels in the unparalleled comfort of all that is Lincoln.



lincoln.com

Quiet Steel is a registered trademark of Material Sciences Corporation. \*Luxury Pickup Truck class.

**INTERIOR ELEGANCE**

Warm Steel Accents  
Real Ebony Wood  
Two-Tone Leather



Warm steel accents and real Ebony wood add richness to Mark LT's instrument panel, while two-tone leather wraps the steering wheel.



Material wealth. Wherever your hands rest or your eyes gaze, you'll experience Lincoln luxury at its finest.

Only the finest materials and finishes are selected for Lincoln vehicles, such as warm steel accents, real Ebony wood, and premium leather trim that fill Mark LT's interior with sophistication and opulence. Elegant stitching graces the Light Parchment or Dove leather-trimmed seats, which are accented by contrasting piping – an international symbol of luxury. It's a theme carried over to the lid of the large flow-through center console, which features covered storage and front and rear cupholders. Two-tone leather trim wraps the steering wheel, while a message center in the instrument cluster keeps you up to date with vital vehicle/trip functions. For the ultimate in comfort, heating controls allow you to warm the front seats.



lincoln.com

## ENTERTAINMENT

SIRIUS Satellite Radio  
Overhead Storage System  
Rear-Seat DVD System



**SIRIUS** Along with all the luxury Mark LT SATELLITE RADIO supplies, a SIRIUS Satellite Radio receiver with a 6-month subscription to the SIRIUS service can be factory installed. With over 120 channels – including 65 playing commercial-free music – even the most discriminating listener will tune in. For more details, including options to extend your subscription, see your Mark LT Sales Consultant for details.



LINCOLN



## Satellite soul. The first Lincoln with available SIRIUS Satellite Radio straight from the factory – the 2006 Lincoln Mark LT.

As soon as you're handed your keys, Lincoln Mark LT's Audiophile® Sound System with 6-disc in-dash CD changer is ready to receive signals from the SIRIUS Satellite Radio service (if equipped). And once you've listened, it's hard to settle for anything less. SIRIUS supplies over 120 channels of commercial-free news, sports, music, entertainment and more. And since the signals are beamed from satellites, the nationwide reception allows you to listen continuously from the boardwalk of Atlantic City to the pier at Santa Monica – and everywhere in between. When only your own favorites will do, the 6-CD changer can be stocked with all your tunes. And since it's MP3 compatible, you'll be able to listen to up to 10 hours of music on a single disc.

You can keep all that music up above, in Mark LT's class-exclusive\* Overhead Rail Storage System that houses a storage bin module along with front and rear reading lights. Its innovative design allows for snap-in accessories\*\* (such as a first-aid kit, tool kit or CD holder), so you can configure and customize it to meet your every need. Rear-seat passengers would appreciate it if you started with the available Rear-Seat DVD Entertainment System, which includes a DVD player, 7" flip-down LCD screen, rear-seat audio controls, handheld remote control and 2 wireless headphones. Video and audio jacks even allow rear-seat passengers to connect gaming systems and other electronic equipment.



lincoln.com

\*Luxury Pickup Truck class. \*\*See your Lincoln Mercury Dealer for these and other accessories.

LINCOLN

### PERFORMANCE

5.4L 3-Valve V-8 Engine  
Towing Capacity  
Electronic Throttle Control



Lincoln Mark LT in Black with available equipment.



Haul asphalt. A throaty 5.4L 3-valve V-8 engine that delivers 300 hp and 365 lb.-ft. of torque is at the core of Mark LT capability. Its effortless strength is good for the long haul.



WITH 85% OF PEAK TORQUE AVAILABLE AT A LOW 1500 RPM, PULLING HEAVY LOADS FROM A DEAD STOP IS NO PROBLEM.

MARK LT'S FULLY FUNCTIONAL 5.5' BED IS ATTACHED TO THE FRAME USING SIX 4.5" BOLTS AND FEATURES A GENEROUS CARGO VOLUME OF 55.5 CU. FT.

Lincoln Mark LT takes luxury as far as you want to go. To the harbor with up to 8900 lbs. of towing capacity (4x2 models, when properly equipped). Over the windswept beach with available 4x4 capability. And around the corner with a cargo bed and available extender that let you transport anything from an antique armoire to an oversized sculpture.

Thanks to its free-breathing 3-valve head design, Mark LT's V-8 delivers optimal horsepower and outstanding low-end torque. The only engine in its class\* to employ efficient 3-valve technology, it's mated to an electronic 4-speed automatic transmission with overdrive and Electronic Throttle Control (ETC). Drive-by-wire ETC responds accurately to your throttle inputs to provide smooth, seamless acceleration. Passing with confidence and the capability of towing your most precious cargo are handled without complaint. Whatever the function, Mark LT is rich in the things that matter to you.

lincoln.com

\*Luxury Pickup Truck class.

## STRENGTH

Fully Boxed Frame  
Hydroformed Front Rails  
Extraordinary Rigidity

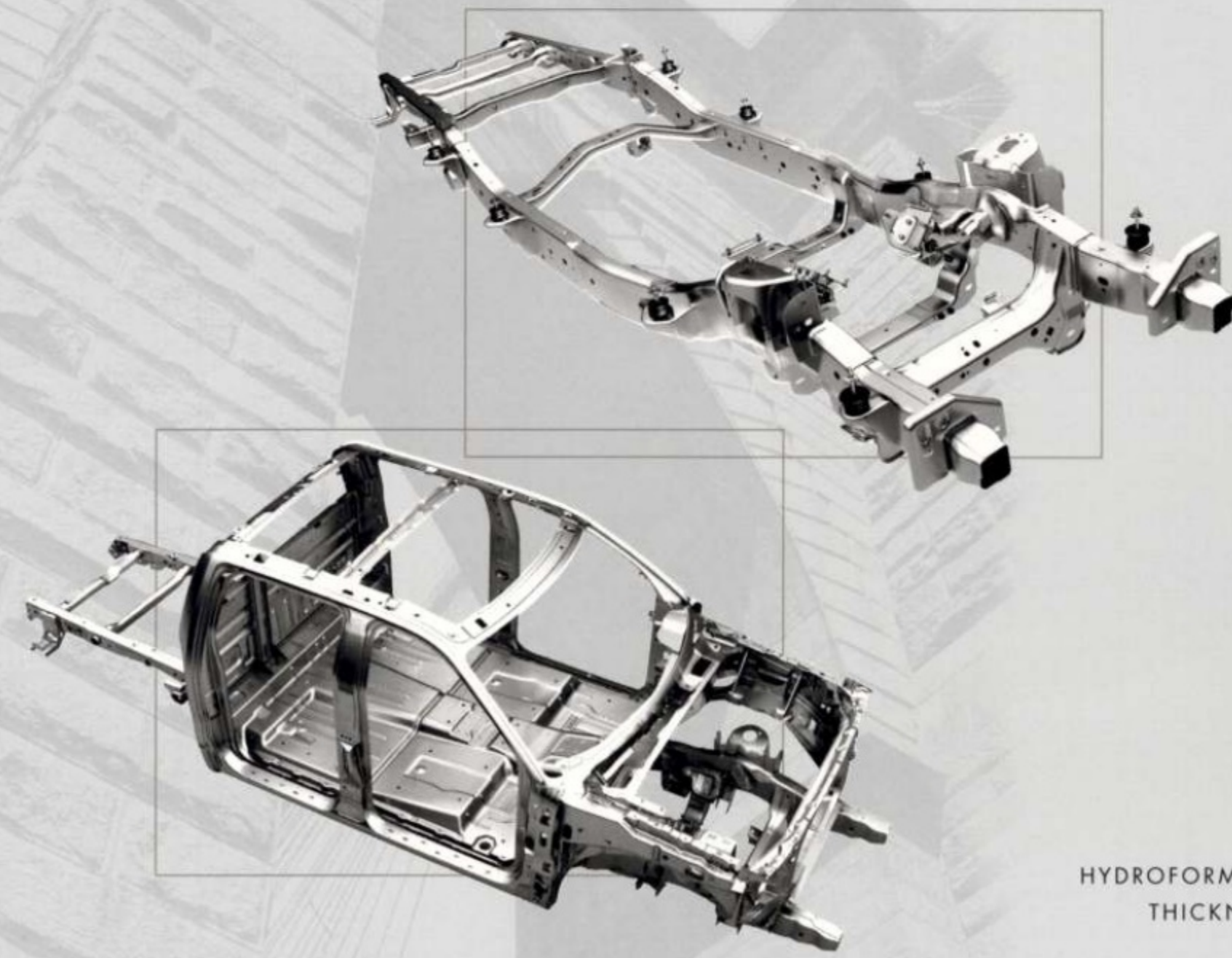


LINCOLN

Lincoln Mark LT in Black with available equipment.



Plenty of backbone. Strength resides deep within. For Lincoln Mark LT, it's the marvel of structural steel that lies beneath its gleaming exterior.



Like every Lincoln, Mark LT is built on rock-solid underpinnings. A fully boxed frame with hydroformed front section, through-rail joint welds on the rear frame crossmembers, and strong body mounts provide the architecture for extraordinary stiffness and torsional rigidity on Mark LT. The coil-over-shock front-suspension design allows precise suspension tuning and steering response to deliver that legendary Lincoln ride. In the rear, outboard-mounted shock absorbers help deliver outstanding control and a pleasant ride without compromising capability. Lincoln Mark LT ensures that you travel in comfort and style – wherever you may choose to go.

HYDROFORMED FRONT SECTION OFFERS UNIFORM, PRECISE FRAME-WALL THICKNESS, EXTRAORDINARY STIFFNESS AND TORSIONAL RIGIDITY

lincoln.com

**UNDERPINNINGS**

- Supple Ride
- Outboard-Mounted Shocks
- Anti-lock Brake System



Lincoln Mark LT in Black with available equipment.

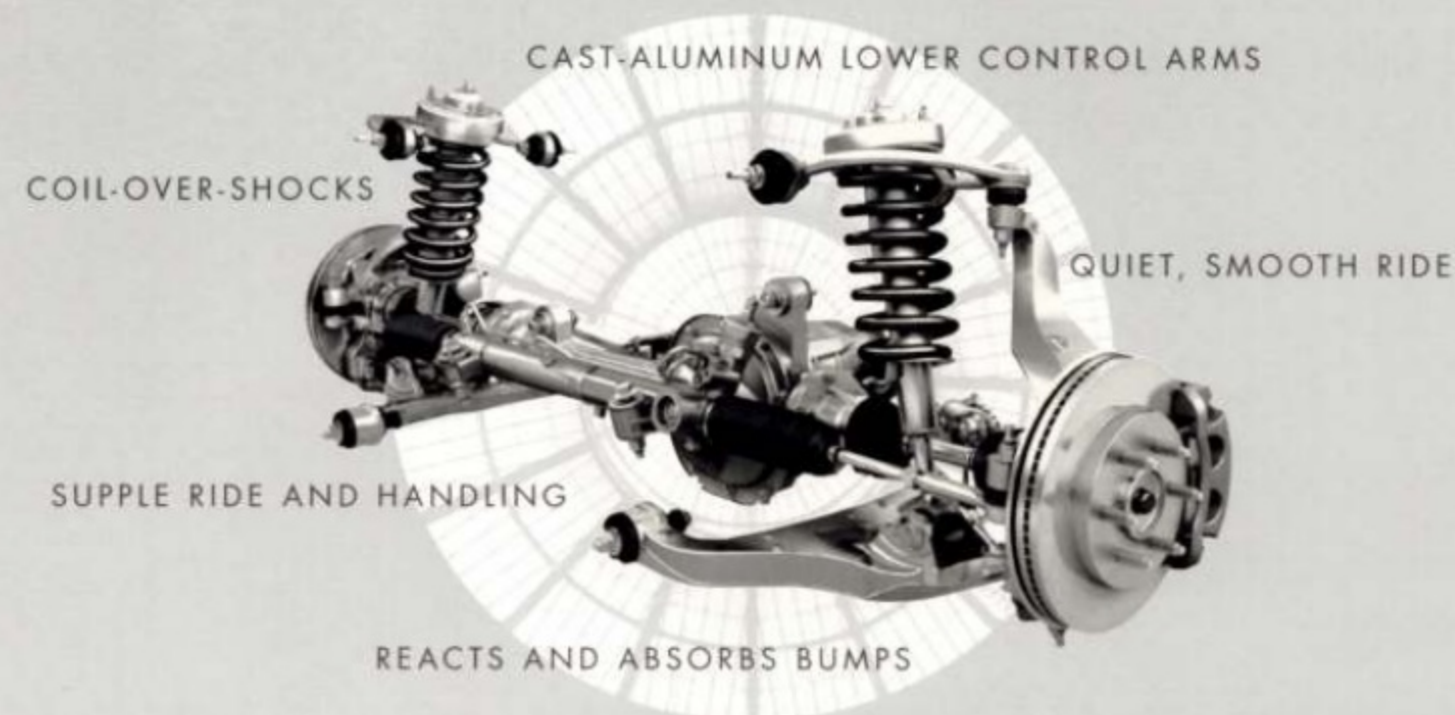


The luxury of rock-solid handling. In Lincoln Mark LT, luxury is served on all roads – pavement as well as cobblestone.

Unless you'd like to check for yourself, you can take our word on this one. The underpinnings of Lincoln Mark LT are as magnificent as its gleaming exterior and luxurious interior. The double-wishbone, coil-over-shock front suspension shown below delivers a smooth ride and outstanding vehicle control.

Under the 5.5' bed, rear shock absorbers are placed outside the frame rails for a sure-footed stance that delivers exemplary axle-movement control as well as excellent cornering control with minimal body lean. An engineering design element that contributes to Mark LT's impeccable road manners, the placement of these shock absorbers is a small but substantive reminder that, at heart, it is 100% Lincoln.

At all 4 corners, high-friction, semi-metallic lining material helps Mark LT's brakes provide smooth control and precise stopping power. The standard Anti-lock Brake System (ABS) enhances control under emergency or heavy braking conditions, while Electronic Brake Force Distribution (EBD) manages the brakes to help ensure maximum capability whatever the load conditions. When it comes to transporting your finest possessions, you know that Mark LT will see you through.



lincoln.com



SECURITY/SAFETY

- Personal Safety System®
- Power-Adjustable Pedals
- Keyless-Entry Keypad



Lincoln Mark LT in Black with available equipment.



**Sophisticated security.** The 2006 Lincoln Mark LT boasts a host of safety and security features that help ensure your perimeter is more than covered.

Up front, the Personal Safety System® and Front-Passenger Sensing System (FPSS) offer enhanced protection for the driver and front passenger in certain frontal collisions. Utilizing a network of smart sensors, the systems deploy the front airbags in just the right manner, at just the right time. In all 4 doors, side-intrusion door beams help enhance the safety of the driver and outboard occupants in certain side-impact collisions. Even in the event of a complete coolant loss, Mark LT can be driven a short distance on reduced power.\* It may mean the difference between sitting on the shoulder of a busy road or sitting in a dealership service area.

To make sure you're comfortable behind the wheel, available power-adjustable pedals can be moved up to 3" and feature a handy memory feature for 2 different drivers. For your convenience, you can unlock the driver's door without a key by entering your personalized code in the driver's door-mounted keyless-entry keypad. The keypad can lock and unlock *all* the doors as well. For added security at night, it is illuminated for ease of use.



lincoln.com

\*Depending on speed, vehicle load and outside temperature.

**06 MARK LT SPECIFICATIONS**



**STANDARD EQUIPMENT**

**Performance**

- 5.4L SOHC 3-valve V-8 engine
- Fail-safe cooling system
- Electronic 4-speed automatic transmission with overdrive and Electronic Throttle Control (ETC)
- 3.73 non-limited-slip axle
- Traction assist (4x2 only)
- Electronic Shift-On-the-Fly 4WD (4x4 only)
- Front, long-spindle, double-wishbone coil-over-shock suspension
- Front stabilizer bar
- Heavy-duty, gas-pressurized shock absorbers
- Power rack-and-pinion steering
- Power 4-wheel disc brakes with Anti-lock Brake System (ABS) and Electronic Brake Force Distribution (EBD)
- P265/60R18 AS BSW tires (4x2), P275/65R18 AT BSW tires (4x4)

**Exterior**

- Lincoln waterfall chromed grille with color-keyed surround
- Clear-lens quad-beam halogen headlamps with autolamp; uniquely styled taillamp lenses
- Fog lamps
- Chrome front bumpers with body-color upper fascia and lower valance; chrome rear step bumper with wrap-over step pad
- Chromed bodyside cladding with body-color wheel-lip moldings
- Solar-tinted front glass with rear privacy glass
- Power, heated molded-in-color sideview mirrors with chromed accent caps and turn-signal indicators
- 5.5' cargo bed, Styleside with bed light
- Rear window with fixed backlight, privacy glass and defroster
- Tailgate with body-color cladding, unique reflectors, and body-color handle bezel and chromed strap; includes key lock and Tailgate Assist™
- Stainless steel exhaust system (major components) with chrome exhaust tip
- 18" 7-spoke machined cast-aluminum wheels
- 4-pin trailer wiring harness

**Interior**

- Real wood-trim instrument panel with center finish bezel
- Electronic Automatic Temperature Control with duplicate steering wheel-mounted controls
- Audiophile® Sound System with 6-disc in-dash CD changer with MP3 capability, subwoofer and speed-compensated volume
- Power, heated, leather-trimmed front seats with driver and front-passenger manual lumbar/recline and driver's seat memory; 60/40 split flip-up rear seat with folding armrest
- Map pockets on rear of driver and front-passenger seats
- 2 cupholders each in 1st and 2nd rows
- Overhead Rail Storage System with large storage bin, rear dome light and map lights (not available with power moonroof option)
- Front and rear power points
- Chromed door handles with real wood-trim upper-handle bezel and lower accents
- Scuff plates
- Carpeted floor mats with Lincoln logo
- Dual-illuminated visor vanity mirrors

**Instrumentation/Driver's Controls**

- Accessory timed delays with theater-dimming lighting
- Unique Lincoln instrument cluster with fuel, oil pressure and engine coolant temperature gauges; speedometer, odometer, tachometer and voltmeter
- Message center with trip computer; includes display center features plus distance-to-empty, trip elapsed time, average fuel economy, low oil pressure, check engine temperature, check charging system and fail-safe engine cooling mode
- Outside temperature and compass display
- Leather-wrapped steering wheel with tilt; includes secondary audio and climate controls
- Steering wheel-mounted speed control
- Power front and rear windows with one-touch-down driver's-side feature
- Auto-dimming rearview mirror
- Universal Garage Door Opener in driver's-side visor

**Security/Safety**

- Personal Safety System® for driver and front passenger with dual-stage airbags,<sup>1</sup> safety belt pretensioners, energy-management retractors, safety belt usage sensors, driver's-seat position sensor, crash severity sensor, Front-Passenger Sensing System (FPSS) and restraint control module
- Manual lap/shoulder safety belts with height adjusters for front seats and manual lap/shoulder safety belts for all rear positions
- Belt-Minder® safety belt reminder for driver and front passenger
- Side-intrusion door beams
- 2nd-row lower anchors and tether anchors for child-safety seats (LATCH)
- Remote keyless-entry system with driver's door-mounted keypad
- SecuriLock® passive anti-theft system
- Autolock automatically locks doors when driving
- Brake/shift interlock
- Battery saver

**AVAILABLE EQUIPMENT**

- 3.73 limited-slip axle
- Skid plates (4x4 only)
- Black running boards
- 5" chromed tubular step bars
- Chromed bed-rail bars
- Bed extender
- 18" 8-spoke chrome-aluminum wheels
- Power-adjustable pedals with memory
- Power moonroof<sup>2</sup> with mini-overhead console
- Rear-Seat DVD Entertainment System<sup>3</sup> includes 2nd-row overhead DVD player with infrared remote, flip-down 7" color LCD screen, rear-seat audio controls, video and audio jacks, and 2 sets of wireless headphones
- Power-sliding rear window with privacy glass<sup>4</sup>
- Class IV Trailer Tow Package includes Class IV trailer hitch receiver, 7-pin wiring harness, heavy-duty 72-amp battery, upgraded radiator and auxiliary transmission oil cooler (required for towing over 5000 lbs.)
- DVD Electrical Prep Package (not available with power moonroof or Rear-Seat DVD Entertainment System)
- Reverse Sensing System includes Class IV Trailer Tow Package
- SIRIUS Satellite Radio Package<sup>5</sup> includes satellite receiver, antenna and 6-month subscription

<sup>1</sup>Always wear your safety belt and secure children in the rear seat. <sup>2</sup>Not available with Rear-Seat DVD Entertainment System. <sup>3</sup>Not available with power moonroof or SIRIUS Satellite Radio Package. <sup>4</sup>Not available with rear defroster. <sup>5</sup>Not available with Rear-Seat DVD Entertainment System. Not available in Alaska or Hawaii.



## DRIVETRAIN

Engine	5.4L SOHC 3-valve V-8
Horsepower	300 hp @ 5000 rpm
Torque	365 lb.-ft. @ 3750 rpm
Compression Ratio	9.8:1
Timing	Variable cam
Throttle	Electronic Throttle Control
Fuel Injection	Sequential multi-port electronic
Ignition	Coil-on-plug electronic
Layout	Front engine, rear-wheel drive or available 4x4
Transmission	4-speed automatic with overdrive
Exhaust	Stainless steel (major components) with chrome exhaust tip

## CHASSIS

Suspension	Front	Long-spindle, double-wishbone coil-over-shock
	Rear	Live axle with leaf springs
Shock Absorbers	Heavy-duty, gas-pressurized	
Steering	Power rack-and-pinion	
Brakes	Power 4-wheel disc with Anti-lock Brake System and Electronic Brake Force Distribution	
Wheels	18" aluminum	
Tires	P265/60R18 all-season BSW (4x2)	
	P275/65R18 all-terrain BSW (4x4)	

## MAXIMUM CAPACITIES\*

	Payload (lbs.)	Towing (lbs.)
4x2	1680	8900
4x4	1540	8700

## AXLES

	Non-Limited-Slip	Limited-Slip
	3.73	3.73
4x2	Standard	Available
4x4	Standard	Available

## TOWING EQUIPMENT

4-pin trailer tow connector and rear-bumper ball mount (standard)  
Class IV Trailer Tow Package includes Class IV trailer hitch receiver, 7-pin wiring harness, heavy-duty 72-amp battery, upgraded radiator and auxiliary transmission oil cooler; required for towing over 5000 lbs. (available)

## DIMENSIONS

	front/rear
Head Room	40.1"/39.6"
Leg Room	41.3"/39.0"
Hip Room	63.8"/63.1"
Shoulder Room	65.8"/65.8"
	4x2/4x4
Height	73.5"/76.0"
Length	223.8"
Width	78.9"
Wheelbase	138.5"
Angle of Approach (degrees)	19.5/25.0
Angle of Departure (degrees)	22.4/25.2
Ramp Breakover Angle (degrees)	17.7/21.2
Ground Clearance	8.1"/9.1"
	front/rear
Overhang	36.9"/48.4"
Track	67.0"/67.0"
Fuel Capacity	30 gallons
Cargo Bed Volume (cu. ft.)	55.5
Cargo Bed Length at Floor	67.0"
Cargo Bed Width at Wheelhouse	50.0"
Cargo Bed Maximum Width Inside Bed	65.2"



lincoln.com



LINCOLN

## WHEELS

A	18" 7-spoke machined cast-aluminum	Standard
B	18" 8-spoke chrome-aluminum	Available



## INTERIOR/EXTERIOR COLORS

Light Parchment with Espresso piping	Dove Grey with Black piping	
■	■	Oxford White
■	■	Dark Toreador Red
■		Smokestone
	■	Silver
	■	Dark Shadow Grey
■	■	Black

PLEASE REFERENCE ACCOMPANYING COLOR PALETTE TO VIEW EXTERIOR PAINT COLORS AND LEATHER SEAT TRIM.





**Lincoln Commitment.**<sup>®</sup> Lincoln has long crafted luxury vehicles that exceed your expectations. An equally superior level of support and service is yours as well.

Complimentary maintenance makes driving your Lincoln even more of a pleasure. Simply bring it to an authorized Lincoln service center, and scheduled maintenance will be performed at no charge throughout your first year of ownership or 12,000 miles, whichever comes first. Additional peace of mind comes from a 4-year/50,000-mile bumper-to-bumper New-Vehicle Limited Warranty that covers repair, replacement or adjustment of parts at no additional cost. And Roadside Assistance for the same time period provides the security of knowing that help is only a phone call away. Your Lincoln Mercury Dealer will provide complete details on all of these privileges.



**FORD CREDIT** Get the ride you want. Whether you plan to lease or finance, you'll find the choices that are right for you at Ford Credit. Ask your Lincoln Mercury Dealer for details or check us out at [www.fordcredit.com](http://www.fordcredit.com).

**FORD MOTOR COMPANY INSURANCE SERVICES** Choose the insurance program that's designed for your vehicle – Ford Motor Company Insurance Services. Our program helps you receive the rates and service you deserve. Call 877.367.3847 or visit us at [www.fordvip.com](http://www.fordvip.com) for a no-obligation quote. Insurance offered by American Road Services Company (in CA, American Road Insurance Agency), a licensed agency and subsidiary of Ford Motor Company.

**FORD EXTENDED SERVICE PLAN** For a purchase or lease, the Ford Extended Service Plan (ESP) gives you "Peace-of-Mind" protection designed to cover key vehicle components and protect you from the cost of unexpected repairs. Ask your Lincoln Mercury Dealer for an ESP backed by Ford Motor Company and honored at all Ford and Lincoln Mercury dealerships.