

2024 Forester



The Subaru Forester. **The SUV for all you love.**





When it comes to love, go all-in.

The 2024 Forester is an SUV that can't be defined by just three letters. It offers room for long weekends, reliability for daily drives and a wide range of safety innovations—so wherever you go, peace of mind will follow. Plus, every Forester is built to last: 96% of Subaru Forester vehicles sold in the last 10 years are still on the road today—more than Toyota RAV4, Honda CR-V, Mazda CX-5, Nissan Rogue, or Ford Escape.¹



Safe

Every Forester is equipped with standard EyeSight® Driver Assist Technology,² which includes Automatic Emergency Steering.³ To help reduce distracted or drowsy driving, there's the DriverFocus® Distraction Mitigation System.^{4,5} You can also opt for the latest SUBARU STARLINK® Safety and Security system^{4,6} and a host of advanced technologies, including Blind-Spot Detection^{4,7} and Rear Cross-Traffic Alert.^{4,7}



Versatile

The Forester offers comfortable room for everyone and up to 74.2 cubic feet of cargo space.⁸ Its extra-wide rear gate opening helps you load with ease, and a 60/40-split flat-folding rear seatback ensures the Forester can adapt to however your day is shaping up.



Connected

Wherever you go, you should be able to take your music and apps with you. That's why the Forester features standard SUBARU STARLINK Multimedia with Apple CarPlay® and Android Auto™ integration. Further conveniences include available STARLINK® Concierge Services^{4,6} and Remote Engine Start with Climate Control,^{4,6,9} which lets you set the perfect temperature from your smartphone.

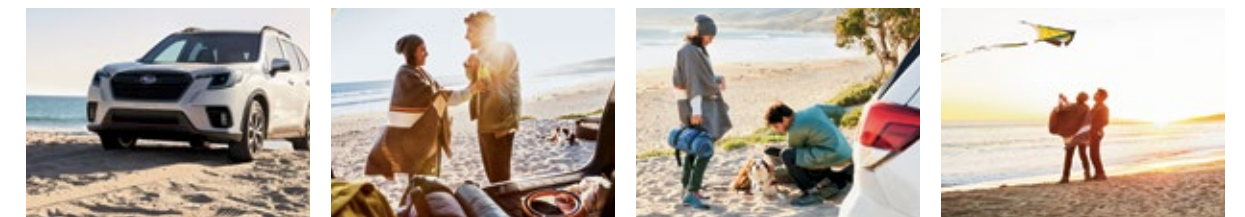


Efficient

It's fun to make stops along the way—but not if you're constantly refueling. On a single tank, the Forester can go over 530 miles¹⁰ and combines up to 33 highway MPG¹¹ with the all-road confidence of standard Subaru Symmetrical All-Wheel Drive. Thanks to its 182-hp, direct injection SUBARU BOXER® engine and auto start-stop technology, you'll keep the journey going and the extra fuel stops to a minimum.

¹ Based on Experian Automotive vehicles in operation vs. total new registrations for MY2013–2022 as of December 2022. ² EyeSight is a driver assist technology, which may not operate optimally under all driving conditions. The driver is always responsible for safe and attentive driving. System effectiveness depends on many factors such as vehicle maintenance, weather and road conditions. Advanced Adaptive Cruise Control and Brake Light Recognition are designed to assist the driver and are not substitutes for safe and attentive driving. Lane Keep Assist operates only when the lane markings are visible, and system effectiveness depends on many factors. Lane centering function operates only when used in conjunction with Advanced Adaptive Cruise Control. See Owner's Manual for complete details on system operations and limitations. ³ Automatic Emergency Steering is a system designed to assist the driver. It is not a substitute for safe and attentive driving. Automatic Emergency Steering works in conjunction with and after Pre-Collision Braking has been activated by providing steering support at speeds lower than 50 mph to try and help avoid a collision. See your Owner's Manual for complete details, including important system limitations. Availability varies by trim level. ⁴ Availability varies by trim level. See your Subaru retailer for details. ⁵ The DriverFocus Distraction Mitigation System is a driver recognition technology designed to alert drivers if their attention to the road wavers or if the driver's face appears to turn away. The driver is always responsible for safe and attentive driving. System effectiveness may be affected by articles of clothing worn on the head or face. See Owner's Manual for complete details on system operation and limitations. ⁶ Activation with subscription required. Includes a 3-year trial subscription to STARLINK Safety Plus services and a 6-month trial subscription to STARLINK Safety and Security Plus services. The Concierge plan can be purchased annually or monthly. A credit card on file will be required for specific packages and for renewal purposes. Not available in all states. See your Subaru retailer for details. ⁷ Blind-Spot Detection, Lane Change Assist and Rear Cross-Traffic Alert are systems designed to assist the driver by monitoring the rear and side areas of the vehicle during a lane change or reversing and are not a substitute for safe and attentive driving. ⁸ Without available power moonroof. ⁹ Requires Keyless Access with Push-Button Start. Not available in all states. See your Subaru retailer for details. ¹⁰ Based on EPA-estimated fuel economy for 2024 Forester trim levels at 33 highway MPG and 16.6-gallon fuel tank. Does not apply to Forester Wilderness. Actual range may vary. See your Subaru retailer for details. ¹¹ EPA-estimated fuel economy for 2024 Forester trim levels at 33 highway MPG. Does not apply to Forester Wilderness. Actual mileage may vary. See your Subaru retailer for details.

Forester Premium in Horizon Blue Pearl with optional equipment.





Forester Limited with Gray Leather and optional equipment.



74.2 cubic feet of cargo space¹



Raised roof rails²



Spacious cabin



Dual-function X-MODE²

Fits your life.
And wherever you
want to take it.

Extremely adaptable

With up to 74.2 cubic feet of cargo space,¹ the Forester is designed to leave your options open—especially when you consider its extra-wide rear gate opening. With the available Power Rear Gate,² just the touch of a button gives you easy access to the vast cargo area. For more space, simply adjust the 60/40-split flat-folding rear seatback and secure any extra gear to the raised roof rails.² Once you're all packed, your passengers will still have plenty of room.

Expertly capable

The Forester lets nothing get in the way of an out-of-the-way place. With up to 9.2 inches of ground clearance³ and standard Subaru Symmetrical All-Wheel Drive, you can confidently take on a wide range of driving conditions. Thanks to its direct injection SUBARU BOXER engine, you can count on impressive power and excellent efficiency—both of which you can custom-tailor to your needs with standard SI-DRIVE®. When it comes to tougher roads, the available dual-function X-MODE® system with Hill Descent Control includes two specifically engineered settings: one for snow and dirt and one for deep snow and mud.²

¹ Without available power moonroof. ² Availability varies by trim level. See your Subaru retailer for details. ³ 9.2 inches of ground clearance for Forester Wilderness only.



Extra-wide rear gate opening



An extra set of eyes every time you drive.

Every Forester includes standard Subaru EyeSight Driver Assist Technology.¹ Equipped with a comprehensive suite of innovative safety features, EyeSight looks ahead, alerts you to potential dangers and can even intervene to help you avoid a collision.



The 2023 Forester is an IIHS TOP SAFETY PICK



Forester Limited in Horizon Blue Pearl with optional equipment.



Automatic Emergency Steering²

Can help you avoid a collision by providing automatic steering and pre-collision braking support if it determines there's enough space to intervene.



Pre-Collision Braking

Can help slow and bring your Forester to a full stop if necessary.



Advanced Adaptive Cruise Control with Lane Centering

Automatically helps keep you centered in your lane, at a safe distance behind the car in front of you—even in traffic and around curves.



Pre-Collision Throttle Management

Can reduce engine power to help give you more time to react and to help minimize possible impact force in case of a collision.



Lane Departure and Sway Warning with Lane Departure Prevention

If you accidentally begin to drift to the edge of your lane, EyeSight can alert you with visible and audible warnings before you cross over the lane markers. And when activated, Lane Departure Prevention can even help steer you back into your lane.

¹ EyeSight is a driver assist technology, which may not operate optimally under all driving conditions. The driver is always responsible for safe and attentive driving. System effectiveness depends on many factors such as vehicle maintenance, weather and road conditions. Advanced Adaptive Cruise Control and Brake Light Recognition are designed to assist the driver and are not substitutes for safe and attentive driving. Lane Keep Assist operates only when the lane markings are visible, and system effectiveness depends on many factors. Lane centering function operates only when used in conjunction with Advanced Adaptive Cruise Control. See your Owner's Manual for complete details on system operations and limitations. ² Automatic Emergency Steering requires Blind-Spot Detection. Availability varies by trim level. See your Subaru retailer for details.

Our best trait is our most important one, too.

Safety that meets the highest expectations.

To help protect you and your passengers, the Forester is equipped with our latest safety innovations. Standard LED Steering Responsive Headlights can help you see better around corners, while High Beam Assist can automatically dim and activate your high beams as needed. At the core of the Forester is the Subaru Global Platform, providing a rigid body structure for high crash-energy absorption, so every time you head out, your confidence will follow.



Forester Touring in Ice Silver Metallic.



Every day in the U.S., more than 1,000 people are injured in crashes reported to have involved a distracted driver.¹ As an industry leader in safety, Subaru developed the DriverFocus Distraction Mitigation System,^{2,3} one of the first technologies of its kind. Engineered for both new and experienced drivers, it works together with EyeSight to help detect distracted or drowsy driving. If the driver's attention strays from the road for too long, DriverFocus can deliver visual and auditory alerts to bring attention back to the road.



Blind-Spot Detection

Using radar sensors, Blind-Spot Detection^{2,4} warns you with a visual indicator on your exterior mirror if the system detects a vehicle in your blind spot. Another feature of this system, Lane Change Assist, alerts you with a flashing indicator on your exterior mirror if it senses a vehicle approaching at a higher speed in a neighboring lane.



Rear Cross-Traffic Alert

Rear Cross-Traffic Alert^{2,4} uses radar sensors to help warn you of traffic approaching from the side as you are backing up, utilizing a flashing visual indicator on your exterior mirror and standard Rear-Vision Camera display as well as an audible warning.



Reverse Automatic Braking

Reverse Automatic Braking^{2,5} can detect objects directly behind your vehicle when backing up at a low speed and can help bring the Forester to a stop if it detects an object within its range and the brakes have yet to be applied. There's also the Rear-Vision Camera to help you keep an eye out.



SUBARU STARLINK Safety and Security

The Forester features the latest STARLINK Safety and Security^{2,6} system, which can alert a first responder in an emergency, help police locate your vehicle if it's stolen and more. And to get you started, new Forester drivers enjoy a free three-year STARLINK Safety Plus trial, which includes Advanced Automatic Collision Notification, Enhanced Roadside Assistance, SOS Emergency Assistance and more.

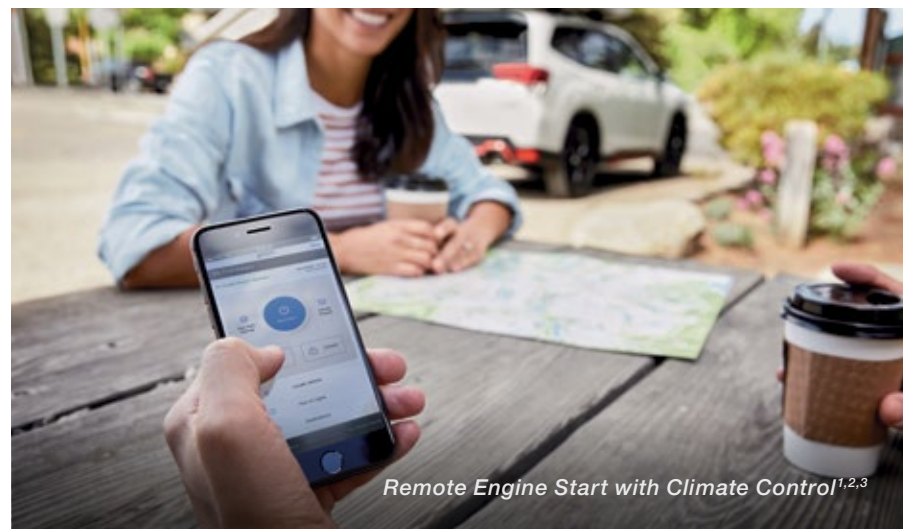
1 Centers for Disease Control and Prevention, citing National Center for Statistics and Analysis. Distracted Driving: 2016, in Traffic Safety Research Notes. DOT HS 812 517. April 2018, National Highway Traffic Safety Administration: Washington, D.C. 2 Availability varies by trim level. See your Subaru retailer for details. 3 The DriverFocus Distraction Mitigation System is a driver recognition technology designed to alert drivers if their attention to the road wavers or if the driver's face appears to turn away. The driver is always responsible for safe and attentive driving. System effectiveness may be affected by articles of clothing worn on the head or face. See your Owner's Manual for complete details on system operation and limitations. 4 Blind-Spot Detection, Lane Change Assist and Rear Cross-Traffic Alert are systems designed to assist the driver by monitoring the rear and side areas of the vehicle during a lane change or reversing and are not a substitute for safe and attentive driving. 5 The Reverse Automatic Braking System is not a substitute for safe and attentive driving. System effectiveness depends on many factors, such as vehicle maintenance, weather and road conditions. Always exercise caution and use vehicle mirrors and the Rear-Vision Camera when backing up. See your Owner's Manual for complete details on system operation and limitations. 6 Activation with subscription required. Includes a 3-year trial subscription to STARLINK Safety Plus services and a 6-month trial subscription to STARLINK Safety and Security Plus services. The Concierge plan can be purchased annually or monthly. A credit card on file will be required for specific packages and for renewal purposes. Not available in all states. See your Subaru retailer for details.

A cabin space filled with intelligence, comfort and convenience.

Even before you step into your Forester, you can start it up and set the perfect temperature right from your smartphone with available Remote Engine Start with Climate Control.^{1,2,3} The moment you're inside, the driver seat, exterior mirrors and climate settings can automatically adjust to your pre-set preferences, thanks to the available DriverFocus^{1,4} system. For easy, intuitive connectivity, there's standard SUBARU STARLINK Multimedia with Apple CarPlay[®] and Android Auto[™] integration. Built-in Wi-Fi Hotspot capability lets passengers stream their favorite content, browse the internet and more.^{1,5} And with available STARLINK Concierge Services, you can search for points of interest, make reservations and even find event tickets—all while on the go.^{1,2}



Panoramic moonroof¹



Remote Engine Start with Climate Control^{1,2,3}



Heated rear seats and dual USB charge ports¹



Harman Kardon[®] premium audio system¹



8.0-inch touchscreen¹ with Apple CarPlay[®] integration

Engineered for every day and every dream.

You can always look forward to the destination, but in the interior of the Forester, you can also look forward to the way there. High-quality soft-touch materials and up to 111.6 cubic feet of passenger space⁶ ensure a comfortable ride with no shortage of legroom. Up front, you'll find thoughtful details, including standard automatic climate control, an available eight-way power passenger seat¹ and an available heated steering wheel.¹ The second row offers available heated seats, air vents and USB charge ports.¹ Wherever you're sitting, you can enjoy the available panoramic moonroof overhead and the Harman Kardon[®] premium audio system, bringing your music to life through nine speakers and a 576-watt-equivalent amplifier.¹

1 Availability varies by trim level. See your Subaru retailer for details. 2 Activation with subscription required. Includes a 3-year trial subscription to STARLINK Safety Plus services and a 6-month trial subscription to STARLINK Safety and Security Plus services. The Concierge plan can be purchased annually or monthly. A credit card on file will be required for specific packages and for renewal purposes. Not available in all states. See your Subaru retailer for details. 3 Requires Keyless Access with Push-Button Start. Not available in all states. See your Subaru retailer for details. 4 The DriverFocus Distraction Mitigation System is a driver recognition technology designed to alert drivers if their attention to the road wavers or if the driver's face appears to turn away. The driver is always responsible for safe and attentive driving. System effectiveness may be affected by articles of clothing worn on the head or face. See your Owner's Manual for complete details on system operation and limitations. 5 Activation and subscription required. Internet access is purchased separately through AT&T with monthly, per gigabyte, and unlimited data options available. Existing AT&T customers have the option to add a line to their AT&T Mobile Share plan. See your Subaru retailer for details. 6 Without available power moonroof.

The unpaved world
is officially open.

The Forester Wilderness

Nothing sounds too remote when you're in the Forester Wilderness. With dual-function X-MODE, 9.2 inches of ground clearance and gearing that's engineered to optimize climbing performance, this Forester is designed to meet the demands of the terrain. Inside and out, there's function and purpose, from its StarTex® water-repellent upholstery to its 17-inch wheels with all-terrain tires. Plus, we've increased its approach, departure and breakover angles. The Forester Wilderness has wider roof rails with a greater static roof load capacity, and it can tow up to 3,000 pounds,¹ so you can bring all the gear you need into that unpaved world.

¹ Trailer brakes may be needed. Some safety features, including X-MODE, Blind-Spot Detection and Rear Cross-Traffic Alert, may not function properly when towing. See your Subaru retailer for details.



Forester Wilderness in Geyser Blue with optional equipment.



Forester Wilderness with Gray Textured StarTex and optional equipment



Dual-function X-MODE



Roof rails with increased static load-carrying capacity and Anodized Copper finish tie-down points



All-weather floor mats

2024 Forester | Trim Levels



Forester

- 182-hp 2.5-liter 4-cylinder SUBARU BOXER engine with direct injection and auto start-stop technology
- Subaru Symmetrical All-Wheel Drive with Active Torque Vectoring
- Lineartronic® CVT (Continuously Variable Transmission)
- 1,500-lb. towing capacity¹
- SI-DRIVE Engine Performance Management
- 17-inch steel wheels with covers
- Auto-on/off LED Steering Responsive Headlights with High Beam Assist
- Daytime Running Lights (DRL)
- Cloth upholstery
- 6-way manually adjustable driver seat and 4-way manually adjustable front-passenger seat.
- SUBARU STARLINK 6.5-inch Multimedia with Apple CarPlay® and Android Auto™ integration, high-resolution LCD touchscreen display, 4 speakers, AM/FM stereo, USB input port, Bluetooth® audio streaming & hands-free phone connectivity and 3.5-mm auxiliary jack
- EyeSight Driver Assist Technology²: Pre-Collision Braking System, Pre-Collision Throttle Management, Lane Departure and Sway Warning with Lane Departure Prevention, Advanced Adaptive Cruise Control with Lane Centering
- Automatic climate control system
- Multifunction display
- LED dome light
- Driver auto-up/down power window
- Cargo-area headliner hooks
- Rear-Vision Camera
- 60/40-split flat-folding rear seatback
- Rear Seat Reminder
- 8 airbags (SRS)⁴: dual-stage deployment driver and front-passenger, driver's knee, front-passenger seat cushion, front and rear outboard occupant side curtain with rollover sensor, and seat-mounted front side impact
- Whiplash-reducing front seats with height- and tilt-adjustable head restraints
- Pretensioner and force limiter equipped height-adjustable 3-point front seatbelts and 3-point seatbelts for all rear seating positions
- LATCH system: Lower Anchors and Tethers for CHildren

Optional Packages

Option Package (OP 02): • Alloy Wheel Package: 17-inch aluminum-alloy wheels and raised roof rails with tie-down points

Forester Premium

Includes Forester key features and adds:

- X-MODE with Hill Descent Control
- 17-inch alloy wheels
- LED fog lights
- Panoramic moonroof
- Roof rails with tie-down points
- 1,500-lb. towing capacity¹
- Crystal Black Silica rear spoiler
- Body-color exterior mirrors
- Privacy glass
- Premium cloth upholstery
- Keyless Access with Push-Button Start
- 10-way power-adjustable driver seat
- SUBARU STARLINK 6.5-inch Multimedia Plus with Apple CarPlay® and Android Auto™ integration, SiriusXM®⁵ including 4-month Platinum Plan and SiriusXM Travel Link®⁶ trial, high-resolution LCD touchscreen display, AM/FM player, HD Radio®, dual USB input ports, Bluetooth® audio streaming, handsfree phone and text messaging connectivity and 3.5-mm auxiliary jack
- Leather-wrapped steering wheel
- Center console rear vents
- STARLINK Safety and Security enabled⁶: Advanced Automatic Collision Notification, SOS Emergency Assistance, Enhanced Roadside Assistance, Maintenance Notifications, Monthly Vehicle Health Report, Diagnostic Alerts, Remote Engine Start with Climate Control,⁷ Remote Lock/Unlock, Concierge Services and more
- 6 speakers
- 4G LTE Wi-Fi Hotspot capability⁸
- All-Weather Package: Heated exterior mirrors and front seats and windshield wiper de-icer
- Driver and front-passenger auto-up/down power windows
- Reclining rear seatback
- Rear center armrest with dual cup holders
- Cargo-area cover

Optional Packages

Option Package (OP 15): • Blind-Spot Detection with Lane Change Assist and Rear Cross-Traffic Alert⁹ • Automatic Emergency Steering³ • Power Rear Gate • Dual rear USB charge ports • 6.3-inch color multifunction display

Forester Sport

Includes Forester Premium key features and adds:

- Dual-function X-MODE with Hill Descent Control
- SI-DRIVE with Sport Sharp (S#) mode
- 18-inch black finish alloy wheels
- Roof rails with orange finish tie-down points
- Front, rear and side underguards with orange accents
- 1,500-lb. towing capacity¹
- Body-color exterior mirrors with integrated turn signals
- Orange and Crystal Black Silica exterior accents
- Gray Sport Cloth with leather shifter
- Orange stitching and interior trim accents
- Sport gauges with color LCD display
- 6.3-inch color multifunction display
- Dual rear USB charge ports
- LED cargo and rear gate light
- Blind-Spot Detection with Lane Change Assist and Rear Cross-Traffic Alert⁹
- Automatic Emergency Steering³
- Cargo-area tray

Optional Package

Option Package (OP 24): • Reverse Automatic Braking¹⁰ • SUBARU STARLINK 8.0-inch Multimedia Plus • Harman Kardon® premium audio system • Power Rear Gate

Forester Wilderness

Includes Forester Premium key features and adds:

- 17-inch matte black finish alloy wheels and Yokohama® Geolandar® All-Terrain tires
- 9.2 inches of ground clearance
- Dual-function X-MODE with Hill Descent Control
- Enhanced Lineartronic CVT gearing and rear differential
- 3,000-lb. towing capacity¹
- SI-DRIVE with Sport Sharp (S#) mode
- Engine skid plate
- Hexagonal LED fog lights
- Forester Wilderness exterior underguards, fender flares and side cladding
- Forester Wilderness-design front grille
- Matte-black, anti-glare hood decal
- Subaru Wilderness badging on front doors and rear gate
- Black badging
- Body-color rear spoiler
- Wider roof rails with increased static load-carrying capacity and 6 Anodized Copper finish tie-down points
- Full-size spare tire
- Forester Wilderness Gray StarTex water-repellent upholstery with copper accent stitching
- Forester Wilderness all-weather floor mats
- Gunmetal metallic and Anodized Copper finish interior trim
- Forester Wilderness gauges with color LCD display
- SUBARU STARLINK 8.0-inch Multimedia Plus with Apple CarPlay® and Android Auto™ integration, SiriusXM®⁵ including 4-month Platinum Plan and SiriusXM Travel Link®⁶ trial, 6 speakers, dual USB input ports and Bluetooth® audio streaming, hands-free phone and text messaging connectivity
- Dual-zone automatic climate control system
- 180-degree Front View Monitor
- LED cargo and rear gate light
- Blind-Spot Detection with Lane Change Assist and Rear Cross-Traffic Alert⁹
- Reverse Automatic Braking¹⁰
- One-touch folding rear seatback
- Cargo-area tray

Optional Package

Option Package (OP 22): • SUBARU STARLINK 8.0-inch Multimedia Navigation System • Harman Kardon® premium audio system • Power Rear Gate

Forester Limited

Includes Forester Premium key features and adds:

- Dual-function X-MODE with Hill Descent Control
- 18-inch alloy wheels
- 1,500-lb. towing capacity¹
- Body-color exterior mirrors with integrated turn signals
- Crystal Black Silica rear spoiler
- Power Rear Gate
- Leather-trimmed upholstery
- SUBARU STARLINK 8.0-inch Multimedia Plus with Apple CarPlay® and Android Auto™ integration, SiriusXM®⁵ including 4-month Platinum Plan and SiriusXM Travel Link®⁶ trial, 6 speakers, dual USB input ports and Bluetooth® audio streaming, hands-free phone and text messaging connectivity
- 6.3-inch color multifunction display
- Dual rear USB charge ports
- Dual-zone automatic climate control system
- Blind-Spot Detection with Lane Change Assist and Rear Cross-Traffic Alert⁹
- One-touch folding rear seatback
- Cargo-area tray

Optional Package

Option Package (OP 32): • SUBARU STARLINK 8.0-inch Multimedia Navigation System • Harman Kardon® premium audio system • Reverse Automatic Braking¹⁰ • Heated steering wheel

Forester Touring

Includes Forester Limited key features and adds:

- LED fog lights
- Touring 18-inch alloy wheels
- Silver metallic finish roof rails with tie-down points
- Exterior underguards with silver metallic finish trim
- 1,500-lb. towing capacity¹
- Satin chrome finish exterior mirrors with integrated turn signals and automatic reverse tilt
- Available Saddle Brown Leather-trimmed upholstery
- 2-position driver seat memory
- 8-way power-adjustable front-passenger seat
- Heated steering wheel and outboard rear seats
- SUBARU STARLINK 8.0-inch Multimedia Navigation System with Apple CarPlay® and Android Auto™ integration, SiriusXM®⁵ including 4-month Platinum Plan, SiriusXM Traffic®¹¹ and SiriusXM Travel Link®¹¹ trials, dual USB input ports and Bluetooth® audio streaming, hands-free phone and text messaging connectivity
- Harman Kardon® 576-watt-equivalent premium audio system with 9 speakers
- DriverFocus Distraction Mitigation System¹²
- DriverFocus hand gesture-activated temperature adjustment
- Reverse Automatic Braking¹⁰
- LED cargo and rear gate light



Information current at time of printing.

Visit www.subaru.com for the most up-to-date product information.

2024 Forester | Specifications

Engine and Drivetrain	Forester
Engine Power Torque 2.5-liter DOHC direct injection aluminum-alloy 16-valve 4-cylinder horizontally opposed SUBARU BOXER engine with Dual Active Valve Control System (DAVCS). 182 hp @ 5,800 rpm 176 lb-ft @ 4,400 rpm	●
SI-DRIVE Engine Performance Management Subaru Intelligent Drive (SI-DRIVE) enables two distinctively different modes of vehicle performance characteristics by regulating the engine control unit (ECU) and the transmission control unit (TCU) as well as fine-tuning the electronically controlled throttle. Forester, Forester Premium, Forester Limited and Forester Touring: Intelligent (I) and Sport (S) Forester Sport and Forester Wilderness: Intelligent (I) and Sport Sharp (S#)	●
Traction and Stability	
X-MODE X-MODE optimizes engine output and transmission ratio, increases all-wheel drive system engagement and uses enhanced control of the Vehicle Dynamics Control (VDC) system to reduce or increase individual wheelspin, providing optimal traction on various types of terrain and low-friction surfaces. Forester: N/A. Forester Premium: Standard. Single-mode system. Forester Sport, Forester Wilderness, Forester Limited and Forester Touring: Standard. Dual-mode system with Snow/Dirt and Deep Snow/Mud modes.	○
Hill Descent Control (HDC) X-MODE also incorporates Hill Descent Control, which helps to maintain a constant vehicle speed when traveling downhill, enhancing vehicle control. Forester: N/A. Forester Premium, Forester Sport, Forester Wilderness, Forester Limited and Forester Touring: Standard.	○
Active Torque Vectoring Active Torque Vectoring works in tandem with VDC, applying braking power to the inside wheels, resulting in sharper turn-in, more neutral steering and higher cornering limit while turning.	●

● Standard ○ Optional

2024 Forester | Specifications

Traction and Stability (continued)	Forester
Trailer Stability Assist (TSA) Trailer Stability Assist senses any unsafe yaw conditions and automatically applies braking to specific wheels to help the driver maintain vehicle control.	●
Fuel	
Fuel Economy city/highway/combined ¹³	26/33/29 MPG Forester Wilderness: 25/28/26 MPG
Fuel Requirement Unleaded gasoline (87 octane)	●
Fuel Capacity 16.6 gallons	●
Chassis	
Steering Electric power-assisted rack-and-pinion steering (EPAS). Turning circle: 35.4 feet.	●
Suspension 4-wheel independent raised suspension. Front: Strut-type with lower L-arm. Stabilizer bar. Rear: Double wishbone. Stabilizer bar.	●
Brakes 4-wheel disc. Ventilated front and rear. 4-channel, 4-sensor ABS with Electronic Brake-force Distribution (EBD).	●
Brake Discs (front/rear) Forester: 11.6 inches/11.2 inches. Forester Premium, Forester Sport, Forester Wilderness, Forester Limited and Forester Touring: 12.4 inches/11.2 inches.	●
Brake Override System If both brake and accelerator pedals are pressed simultaneously, the system reduces the operation of the accelerator pedal to help prevent unintentional vehicle acceleration.	●

15 | 2024 Forester



Subaru. Lowest Ownership Cost, according to IntelliChoice.¹⁴



Subaru has earned more IHS TOP SAFETY PICK+ awards than any other brand since 2013 as of July 2023.



96% of Subaru Forester vehicles sold in the last 10 years are still on the road today.¹⁵



The 2023 Subaru Forester is top ranked in its class, according to MotorTrend.¹⁶

2024 Forester | Equipment

Exterior	Forester	Forester Premium	Forester Sport	Forester Wilderness	Forester Limited	Forester Touring
Halogen fog lights	☐	—	—	—	—	—
LED fog lights (Forester Wilderness: hexagonal style)	—	●	●	●	●	●
Panoramic moonroof (100% UV light-reducing) ¹⁸	—	●	●	●	●	●
Windshield wiper de-icer and heated exterior mirrors (All-Weather Package)	—	●	●	●	●	●
Seating and Trim						
6-way manually adjustable driver seat and 4-way manually adjustable front-passenger seat	●	—	—	—	—	—
10-way power-adjustable driver seat with power-adjustable lumbar support	—	●	●	●	●	●
8-way power-adjustable front-passenger seat	—	—	—	—	—	●
2-position driver seat memory with exterior mirror synchronization	—	—	—	—	—	●
Heated steering wheel	—	—	—	—	○ ¹⁷	●
Heated front seats (All-Weather Package)	—	●	●	●	●	●
Convenience Features						
Keyless Access with Push-Button Start	—	●	●	●	●	●
Power Rear Gate with automatic close, height memory functions and lock switch	—	○ ¹⁷	○ ¹⁷	○ ¹⁷	●	●
Dual rear USB charge ports	—	○ ¹⁷	●	●	●	●
Cargo-area cover	☐	●	●	●	●	●
Cargo-area tray	☐	☐	●	●	●	●

● Standard ○ Optional — Not equipped ☐ Available retailer-installed accessory

2024 Forester | Equipment

Audio and Communication Systems

	Forester	Forester Premium	Forester Sport	Forester Wilderness	Forester Limited	Forester Touring
SUBARU STARLINK 6.5-inch Multimedia with Apple CarPlay [®] and Android Auto [™] integration, high-resolution LCD touchscreen display, AM/FM stereo, USB input port, Bluetooth [®] audio streaming & hands-free phone connectivity and 3.5-mm auxiliary jack	●	—	—	—	—	—
SUBARU STARLINK 6.5-inch Multimedia Plus with Apple CarPlay [®] and Android Auto [™] integration, SiriusXM [®] including 4-month Platinum Plan and SiriusXM Travel Link [®] trial, high-resolution LCD touchscreen display, AM/FM player, HD Radio [®] , dual USB input ports, Bluetooth [®] audio streaming, hands-free phone and text messaging connectivity and 3.5-mm auxiliary jack	—	●	●	—	—	—
SUBARU STARLINK 8.0-inch Multimedia Plus with Apple CarPlay [®] and Android Auto [™] integration, SiriusXM [®] including 4-month Platinum Plan and SiriusXM Travel Link [®] trial, high-resolution LCD touchscreen display, voice-activated controls, AM/FM player, HD Radio [®] , dual USB input ports, Bluetooth [®] audio streaming, hands-free phone and text messaging connectivity and 3.5-mm auxiliary jack	—	—	○ ¹⁷	●	●	—
SUBARU STARLINK 8.0-inch Multimedia Navigation System with Apple CarPlay [®] and Android Auto [™] integration, SiriusXM [®] including 4-month Platinum Plan and SiriusXM Traffic [®] and SiriusXM Travel Link [®] trials, high-resolution LCD display, voice-activated controls, AM/FM player, HD Radio [®] , dual USB input ports, Bluetooth [®] audio streaming, hands-free phone and text messaging connectivity and 3.5-mm auxiliary jack	—	—	—	○ ¹⁷	○ ¹⁷	●
4 speakers	●	—	—	—	—	—
6 speakers	—	●	●	●	●	—
Harman Kardon [®] premium audio system with 9 speakers and 576-watt-equivalent amplifier	—	—	○ ¹⁷	○ ¹⁷	○ ¹⁷	●
Safety						
ACTIVE						
Subaru Symmetrical All-Wheel Drive (AWD)	●	●	●	●	●	●
Blind-Spot Detection with Lane Change Assist and Rear Cross-Traffic Alert ⁹	—	○ ¹⁷	●	●	●	●
Reverse Automatic Braking (RAB) ¹⁰	—	—	○ ¹⁷	●	○ ¹⁷	●
DriverFocus Distraction Mitigation System (DMS) ¹²	—	—	—	—	—	●

Forester | Accessories



Cargo Net. Neatly holds cargo and prevents it from sliding while the vehicle is in motion. The Cargo Net can be used two ways: Anchor it to the sides of the cargo area to help prevent shifting from front to back, or lay it across the floor to help keep things from rolling around.



Door Edge Guards. Help protect your door edges from dings and chips with custom-fit, body-color-matched Door Edge Guards. They help preserve the appearance of your Subaru while seamlessly blending into the door design.



Rear Bumper Cover. Helps protect the upper surface of the painted rear bumper from scratches and dings.



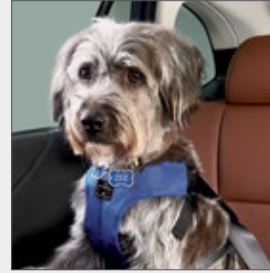
Mud Flaps. Designed to protect your Forester from the elements while also preventing minor road debris from kicking up behind your vehicle. Durably constructed to minimize water, dirt and mud spray. Special Edition for Forester Wilderness.

17 | 2024 Forester



Subaru Loves Pets®

Introducing Genuine Subaru Pet-friendly Accessories.



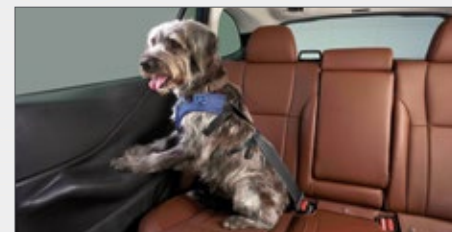
Pet Harness. Keep your dog safe with this crash-tested Pet Harness, certified by the Center for Pet Safety for dogs from 18 to 90 pounds. Manufactured by Sleepypod® in signature Subaru blue, the Pet Harness can also be used for walking your dog. Available in S, M, L or XL.



Seat Cover – Rear. Keep your back seat tidy with this custom-fitted seat cover, made with water-resistant, heavy-duty materials.



Console Lid Protector. Protects the center console lid surface from nail scratches and puncture holes, while providing a comfortable armrest for front-seat passengers.



Pet Rear Door Protector. Protect your door panel from scratches, punctures, scuffs, dirt and even drool. This light-yet-durable accessory is easy to install and designed to fit the contours of your door seamlessly. Comes in a set of two.

Not intended for use with human passengers in the back seat. Not recommended for use with aftermarket rear window tint.



Pet Carrier and Mobile Pet Bed. This multi-functional ultra-plush pet bed doubles as a carrier to safely transport your pet in comfort. Manufactured by Sleepypod®, this accessory is crash-tested and certified by the Center for Pet Safety.



Pet-friendly Padded Cargo Liner. Thick padding and a durable polyester shell provide a comfortable resting area for your pet while protecting the cargo and seatback areas. This accessory includes a foldout bumper protector and is compatible with the 60/40 seats up or down.



Collapsible Pet Kennel. Portable, compact and lightweight, the Collapsible Pet Kennel, manufactured by Thule®, is ideal for travel and for everyday transport. Includes a carrying handle for easy transport and two pockets to carry your pet's personal cargo. Available in medium and large.



Pet Ramp. Give your canine companion easy access to your Subaru. This sturdy, foldable Pet Ramp supports up to 220 lbs. and is especially suited for senior dogs and those with mobility issues, thanks to its non-slip design and high-grip ridged surface.



Rear Seatback Protector. Provides additional protection to the rear seatback when lowering the seats to transport larger cargo. Use in conjunction with the Cargo Tray.



Door Scuff Protector – Front. A durable, easy-to-clean plastic shell that protects your doors from common shoe scuffs and other scrapes when entering and exiting your vehicle. The unique texture complements the design of the Forester. Comes in a set of two.



Body Side Molding. Color-matched molding helps protect vehicle doors from parking lot dings while attractively blending with the lines of the car.



Auto-Dimming Exterior Mirrors with Approach Light. To enhance nighttime driving safety, these mirrors help reduce headlight glare by dimming based on the level of light detected by the Auto-Dimming (Interior) Mirror. They also help illuminate the ground before you enter your vehicle, thanks to LED lights located behind the Subaru logo in each mirror. Requires Auto-Dimming (Interior) Mirror.



All-Weather Floor Liners. Custom-fitted, high wall design floor liners help protect the vehicle carpet and are precision-engineered to withstand a series of functional and durability evaluations to help ensure the liners will not warp, fade or tear.



Trailer Hitch. Rated at 150 lbs. tongue weight with 1,500 lbs. of towing capacity. Forester Wilderness is rated at 300 lbs. tongue weight with 3,000 lbs. capacity. Hitch ball not included. Ball mount sold separately. Trailer brakes may be required by your state for heavier loads. Consult your Owner's Manual for more information.



Cargo Tray. Helps protect the trunk area from stains and dirt while providing a surface that helps reduce the shifting of cargo while driving.



Auto-Dimming Mirror with Compass and HomeLink®. Detects glare and darkens automatically to protect your vision. This accessory features an 8-point digital compass and HomeLink®, which can be programmed to operate most garage doors, security gates, home lighting and more. Can also provide you with the last status of your garage door (open or closed) if programmed to a compatible opener.



Let nothing hold you back.

When your passion is even bigger than your cargo area, Genuine Subaru active lifestyle accessories manufactured by Thule® are a smart way to securely transport larger gear like bikes, skis, snowboards, kayaks, paddleboards and more. Each carrier safely attaches to your roof rack when equipped with a Crossbar Set, and the available Thule® Portable Step can help you easily access everything.



Thule® Bike Carrier – Roof-Mounted



Thule® Heavy-Duty Roof Cargo Basket



Thule® Cargo Carrier

2024 Forester | Owner Benefits

For additional Subaru resources, including owner's manuals, maintenance schedules, roadside assistance and more, log on to www.mysubaru.com

Protecting Your Investment

Once you're part of our family, we'll be there for you. Every Subaru comes with 24-hour roadside assistance for 3 years or 36,000 miles. And to protect you over the long haul, we offer Added Security[®], which helps protect your car for up to 10 years or 100,000 miles with extended service agreements and maintenance plans backed by Subaru. And because we've been backing them for more than 30 years, they're agreements you can trust. Your retailer has full coverage details.



More Than a Car Company[®].



For us, love is about the commitments we make. The Subaru Love Promise[®] is our vision to show love and respect to all people and the planet we all share. Subaru is headquartered in a zero-landfill office in Camden, N.J., and in 2004, Subaru of Indiana Automotive, Inc. (SIA) became the first manufacturing facility in the U.S. to reach zero-landfill status—nothing from its manufacturing efforts ever goes into a landfill.

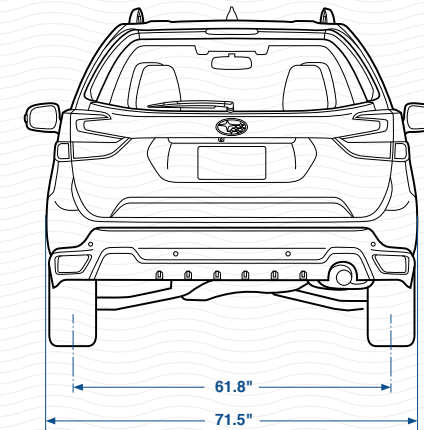
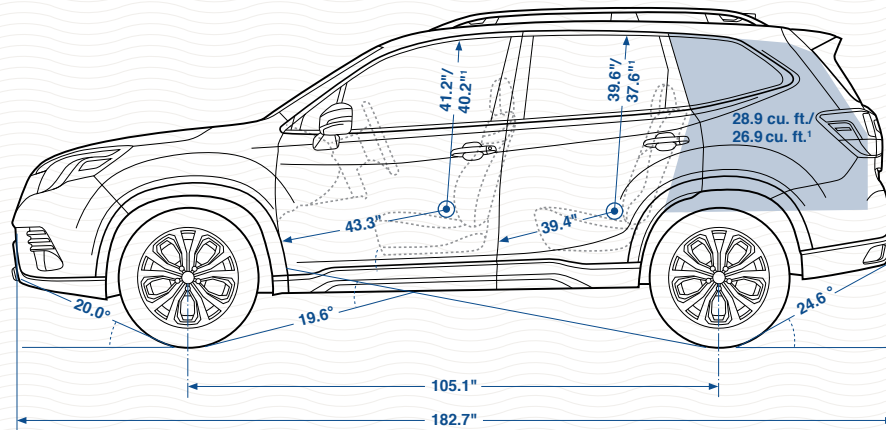
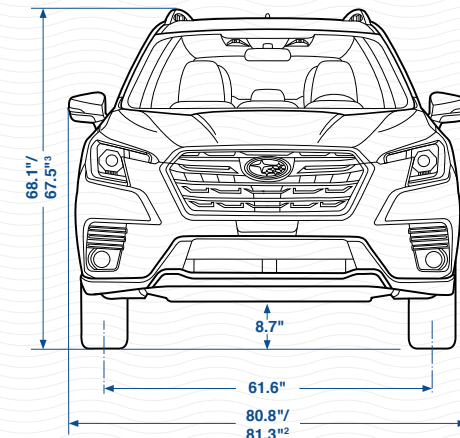
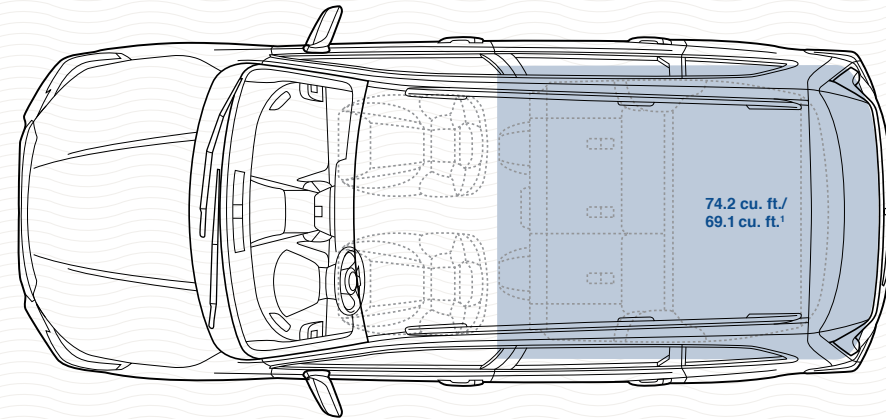


Warranties

New Car Limited Warranty	3 years or 36,000 miles, whichever comes first.
Powertrain Limited Warranty	5 years or 60,000 miles, whichever comes first.
Wear Item Limited Warranty	3 years or 36,000 miles, whichever comes first. Repairs to the following items will also be covered under Wear Item Limited Warranty:
	<ul style="list-style-type: none"> • Brake Pads • Wiper Blades • Transmitter Batteries
Rust Perforation Limited Warranty	5 years, unlimited mileage.
24-hour Roadside Assistance	3 years or 36,000 miles, whichever comes first.

1 Maximum towing capacity varies by trim level. Trailer brakes may be needed. Do not use with any type of weight-distributing hitch as their usage has not been validated to work with Subaru vehicles. Some safety features, including Blind-Spot Detection, Rear Cross-Traffic Alert, Smart Rear-View Mirror and X-MODE, may not function properly during towing. See your Owner's Manual for details. 2 EyeSight is a driver assist technology, which may not operate optimally under all driving conditions. The driver is always responsible for safe and attentive driving. System effectiveness depends on many factors such as vehicle maintenance, weather and road conditions. The Pre-Collision Braking System is designed to provide automatic braking that either prevents a collision or reduces the severity of a frontal impact. Pre-Collision Throttle Management is designed to reduce acceleration and minimize the severity of certain frontal impacts. Advanced Adaptive Cruise Control, Brake Light Recognition and Automatic Emergency Steering are designed to assist the driver and are not substitutes for safe and attentive driving. Automatic Emergency Steering availability varies by trim level and works in conjunction with and after Pre-Collision Braking has been activated by providing steering support at speeds lower than 50 mph to try and help avoid a collision. Lane centering function operates only when used in conjunction with Advanced Adaptive Cruise Control. Lane Departure and Sway Warning with Lane Departure Prevention operates only when the lane markings are visible, and its effectiveness depends on many factors. See your Owner's Manual for complete details on system operation and limitations. 3 Automatic Emergency Steering requires Blind-Spot Detection. Availability varies by trim level. See your Subaru retailer for details. 4 The Supplemental Restraint System (SRS) (airbags) affords the driver and the front and rear outboard passengers additional protection in moderate to severe frontal and side-impact collisions. This system provides supplemental protection only, and seatbelts must be worn in order to avoid injuries to out-of-position occupants upon airbag deployment and to provide the best combined protection in a serious accident. Children should always be properly restrained in the rear seat. 5 All SiriusXM services require a subscription, sold separately by SiriusXM after the trial period. Your SiriusXM service will automatically stop at the end of your trial unless you decide to subscribe. If you decide to continue service, the subscription plan chosen will automatically renew and be charged according to your chosen payment method at the then-current rates. Fees and taxes apply. See the SiriusXM Customer Agreement & Privacy Policy at www.siriusxm.com for full terms and how to cancel, which includes online methods or calling 1-866-635-2349. Available in the 48 contiguous United States, D.C., and Puerto Rico (with coverage limits and capable receiver). Visit <http://www.siriusxm.com/FAQS> for most current service area information. Availability of some services and features is subject to device capabilities and location restrictions. All fees, content and features are subject to change. SiriusXM and all related logos are trademarks of Sirius XM Radio Inc. and its respective subsidiaries. 6 Activation with subscription required. Includes a 3-year trial subscription to STARLINK Safety Plus services and a 6-month trial subscription to STARLINK Safety and Security Plus services. The Concierge plan can be purchased annually or monthly. A credit card on file will be required for specific packages and for renewal purposes. Not available in all states. See your Subaru retailer for details. 7 Requires Keyless Access with Push-Button Start. Not available in all states. See your Subaru retailer for details. 8 Activation and subscription required. Internet access is purchased separately through AT&T with monthly, per gigabyte, and unlimited data options available. Existing AT&T customers have the option to add a line to their AT&T Mobile Share plan. See your Subaru retailer for details. 9 Blind-Spot Detection, Lane Change Assist and Rear Cross-Traffic Alert are systems designed to assist the driver by monitoring the rear and side areas of the vehicle during a lane change or reversing and are not a substitute for safe and attentive driving. 10 The Reverse Automatic Braking System is not a substitute for safe and attentive driving. System effectiveness depends on many factors, such as vehicle maintenance, weather and road conditions. Always exercise caution and use vehicle mirrors and the Rear-Vision Camera when backing up. See your Owner's Manual for complete details on system operation and limitations. 11 Activation and required monthly subscription sold separately. Includes 3-year trial subscription. See your retailer for details. 12 The DriverFocus Distraction Mitigation System is a driver recognition technology designed to alert drivers if their attention to the road wavers or if the driver's face appears to turn away. The driver is always responsible for safe and attentive driving. System effectiveness may be affected by articles of clothing worn on the head or face. See your Owner's Manual for complete details on system operation and limitations. 13 2024 EPA fuel economy estimates. Actual mileage may vary. 14 Popular brand category, 2023 IntelliChoice 5-Year Cost of Ownership Study © 2023 MOTOR TREND GROUP, LLC. 15 Based on Experian Automotive vehicles in operation vs. total new registrations for MY2013-2022 as of December 2022. 16 MOTOR TREND Buyer's Guide Ultimate Car Rankings Spring-Summer 2023 © 2023 MOTOR TREND GROUP, LLC. 17 Available only with other features. See Optional Equipment listing. 18 The glass information listed represents calculated reference values and may not represent actual values determined by testing.

2024 Forester | Dimensions



Length	182.7 inches	Ground clearance	8.7 inches (at base curb weight) Forester Wilderness: 9.2 inches
Width	71.5 inches, Forester Wilderness: 72.2 inches (80.8 inches/81.3 inches ² with exterior mirrors)	Headroom (front/rear)	40.2 inches/37.6 inches (without moonroof: 41.2 inches/39.6 inches)
Height	68.1 inches with roof rails, Forester Wilderness: 68.9 inches (67.5 inches without roof rails)	Legroom (front/rear)	43.3 inches/39.4 inches
Wheelbase	105.1 inches Forester Wilderness: 104.9 inches	Shoulder room (front/rear)	58.1 inches/57.2 inches
Track (front/rear)	61.6 inches/61.8 inches Forester Wilderness: 61.4 inches/61.4 inches	Hip room (front/rear)	54.5 inches/53.5 inches
Base curb weight	Forester: 3,454 lbs. Forester Premium: 3,528 lbs. Forester Sport: 3,538 lbs. Forester Wilderness: 3,620 lbs. Forester Limited: 3,552 lbs. Forester Touring: 3,594 lbs.	Passenger volume	107.6 cubic feet (without moonroof: 111.6 cubic feet)
		Cargo volume	26.9 cubic feet (without moonroof: 28.9 cubic feet)
		Maximum cargo volume	69.1 cubic feet with rear seat lowered (without moonroof: 74.2 cubic feet)

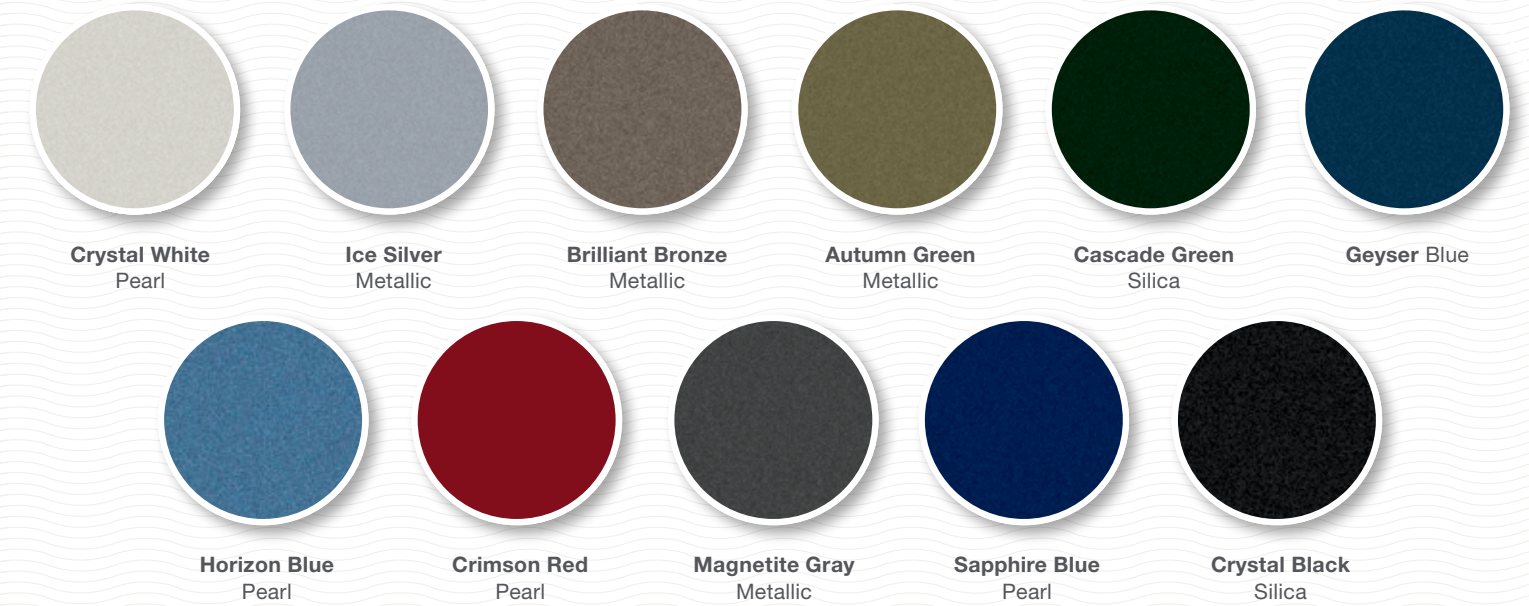
1 With available moonroof. Moonroof availability varies by trim level. 2 With integrated turn signals. 3 Without roof rails.

Some images shown are for illustration purposes only. Specifications and imagery in this brochure are based on the latest product information available at the time of publication. Production models may vary. For the most up-to-date and detailed product information, log on to www.subaru.com. Some equipment shown in photography in this brochure is optional at extra cost. Specific options may be available only in combination with other options. Specific combinations of equipment or features may vary from time to time and by geographic area. Certain accessories and equipment may not be available at the time of publication. Subaru of America, Inc., reserves the right to change or discontinue at any time, without notice, prices, colors, materials, equipment, accessories, specifications, models and packages without incurring any obligation to make the same or similar changes on vehicles previously sold. Colors shown may vary due to reproduction and printing processes.

This brochure was prepared by Subaru of America, Inc. A warranty from Subaru of America, Inc., is available only on cars sold to the first retail purchaser through an authorized Subaru retailer in the continental U.S. or Alaska. Every owner of the car during the warranty period shall be entitled to the benefit of these warranties, EyeSight, Lineartronic, SI-DRIVE, Subaru, SUBARU STARLINK, STARLINK, SUBARU BOXER, X-MODE and Wilderness are registered trademarks of Subaru Corporation. Added Security, DriverFocus, Forester, Love, It's what makes Subaru, Subaru, Love Promise, More Than a Car Company, StarTex, Subaru Loves Learning, Subaru Loves Pets, Subaru Loves the Earth, Subaru Loves to Care and Subaru Loves to Help are registered trademarks of Subaru of America, Inc. 4pets[®] is a registered trademark of Brüggli. Apple CarPlay[®] is a registered trademark of Apple, Inc. Bluetooth[®] is a registered trademark of Bluetooth SIG, Inc. Google, Android, Android Auto, and Google Play are trademarks of Google LLC. Harman Kardon[®] is a registered trademark of Harman International Industries, Incorporated. HD Radio[®] is a registered trademark of iBiquity Digital Corporation. HomeLink[®] and the HomeLink[®] house icon are registered trademarks of Genetex Corporation. Sleepypod[®] is a registered trademark of Launchlab Corp. SiriusXM[®], Traffic[®], Travel Link[®] and all related logos are registered trademarks of SiriusXM Radio Inc. and its respective subsidiaries. Thule[®] is a registered trademark of the Thule Group. Yokohama[®] and Geolandar[®] are registered trademarks of Yokohama Tire Company. For more information, contact your Subaru retailer, or log on to www.subaru.com.

2024 Forester | Colors

Paint



Upholstery



Color Combinations

	Forester	Forester Premium	Forester Sport	Forester Wilderness	Forester Limited	Forester Touring
Crystal White Pearl	GC	PBC or PGC	GS	GTT	BL or GL	BL or BR
Ice Silver Metallic	—	PBC	GS	GTT	BL	BL
Brilliant Bronze Metallic	—	PBC	—	—	BL	BL or BR
Autumn Green Metallic	—	PBC	—	GTT	BL	BL or BR
Cascade Green Silica	GC	PGC	—	—	GL	BL or BR
Geyser Blue	—	—	—	GTT	—	—
Horizon Blue Pearl	GC	PGC	—	—	GL	BL or BR
Crimson Red Pearl	—	PGC	—	—	GL	BR
Magnetite Gray Metallic	GC	PBC or PGC	GS	GTT	BL or GL	BL or BR
Sapphire Blue Pearl	—	—	GS	—	—	—
Crystal Black Silica	—	PBC	GS	GTT	BL	BL or BR

— Not available



See 2024 Subaru models in action

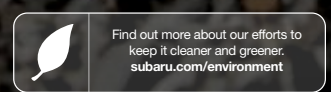


youtube.com/subaru

These brochures were printed with vegetable-based inks and produced using a "Green Printing Process." The Forest Stewardship Council® (FSC®) is an international organization that brings people together to find solutions which promote responsible stewardship of the world's forests and environments.

By producing these brochures in a green way rather than by traditional methods, we saved 53 trees preserved for the future; 12,000 gallons of wastewater flow saved; 200 lbs solid waste not generated; 30,000 lbs net greenhouse gases prevented; 24,000,000 BTUs energy not consumed. Calculations provided by Environmental Paper Network. FSC® is not responsible for any calculations on saving resources by choosing this paper.

This brochure is printed in the U.S.A. on 10% recycled paper. ©2023 Subaru of America, Inc. 24.FORSRB.525 (DSGN-P728, 110K, 08/23, KSL)



Love. It's what makes Subaru, Subaru.®

