

2016



# GLC



Mercedes-Benz





OFF

AUTO

MAX

MENU  
REST

DEALER E-PROCESS



# CLASS DISMISSED

*IT LEAPS AHEAD IN LUXURY. STEPS UP IN STYLE. AND REDEFINES REFINEMENT.  
MORE THAN A NEW MERCEDES-BENZ, THE 2016 GLC IS A NEW CLASS OF SUV.*

## INTRODUCING THE NEW SCHOOL OF SUVs

Few SUVs can even attempt to match the pioneering spirit you'll find in a Mercedes-Benz SUV. It began with the first all-wheel-drive vehicle in 1909. It's been proven the world over in the G-Class. And it's been reborn generation after generation, with breakthroughs in SUV safety, performance and luxury. For 2016, Mercedes-Benz engineers have invested their unmatched knowledge in a vehicle that makes anyone else's midsize luxury SUV seem old-school. More than innovative, it's imaginative. Beyond sensible, it's also sensitive — and sensual. The all-new GLC isn't just at the head of its class. It's a class ahead.



Standard and available equipment varies by model. Please see back of brochure.

# POLISHED METTLE

*CORE STRENGTH HAS LONG BEEN A CORE VALUE OF EVERY MERCEDES-BENZ.  
THE TONED MUSCLE OF THE GLC'S BODY REVEALS THE CHARACTER WITHIN.*

## THE ELEGANCE OF A TRUE ATHLETE

With a high-strength body and nimble chassis, the GLC exemplifies the difference between muscular and musclebound. It's lean, sleek and aerodynamically refined—to make it better at holding the road, saving fuel, and even maintaining your outward vision in bad weather. Day or night, it captures admiring eyes with LED lighting, polished chrome accents and satin silver details. And with a sporty stance and sizable 18" to 20" wheels, its capabilities are evident whether it's parked or on the move. The inner strengths of the GLC shine on every surface. Aesthetically and athletically, it's muscle, unbound.



*METICULOUS DETAILS DEFINE WIDE-OPEN SPACES  
IN THE GLC. SCULPTURAL DESIGN AND MODERN  
LUXURY FLOW AS ONE, FOR AN EXPERIENCE THAT  
IS AT ONCE SEAMLESS AND PERFECTLY STITCHED.*

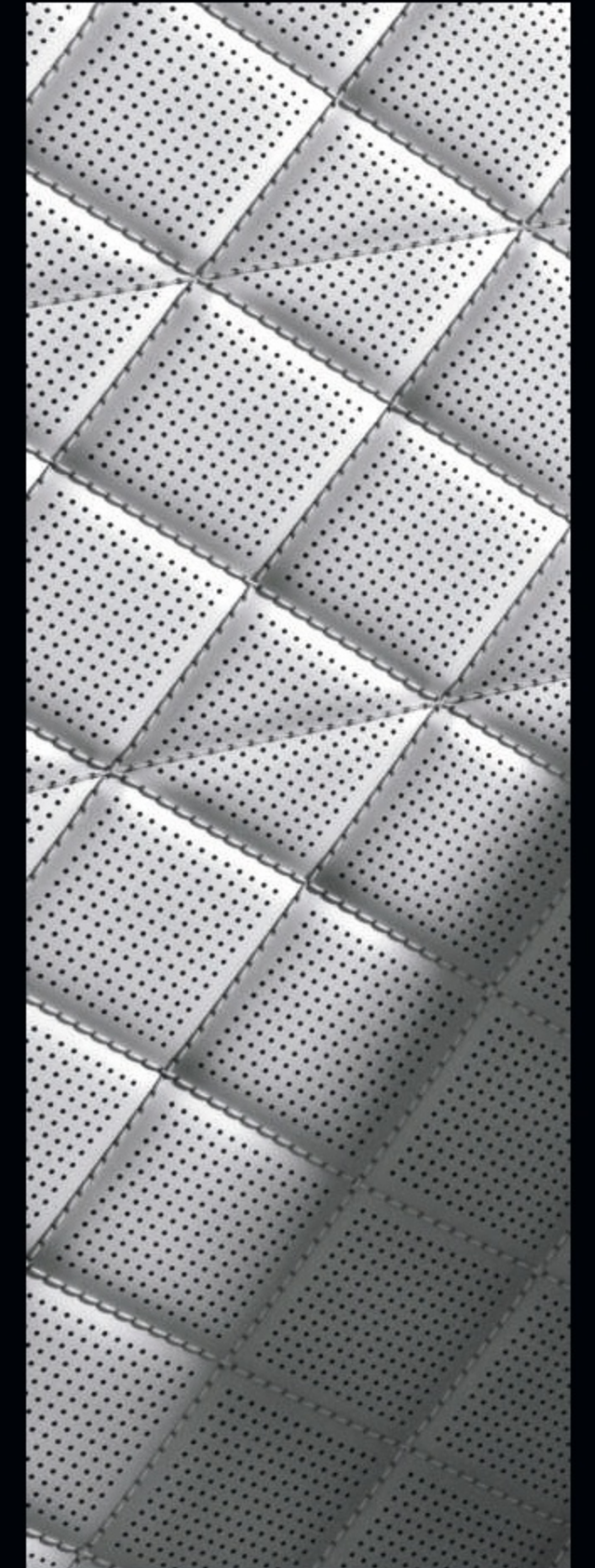
*TAILORED,  
FIT AND  
FINISHED*

#### **FLUIDITY IN EVERY SURFACE**

The flowing center console and Nappa leather-trimmed steering wheel reveal the character of the GLC's cabin. Thoughtful engineering and careful craftsmanship are evident wherever you touch or look. Every element is designed to sharpen your perception and ease your mind. Gauges and displays are vivid, clear, and in your natural line of sight. Controls feel intuitive and rewarding, from the shift paddles to the console touchpad. And all of its available finishes look and feel rich, refined and just right—from sleek aluminum and hand-finished wood options, to the precise topstitching of the seats and doors.

#### **SOLIDITY FROM DEEP WITHIN**

The quality that starts at the core of the GLC is one reason it can satisfy you from deep inside. A standard 14-way power driver seat helps you find your ideal seating position. A 3-position memory system makes it easy to find it again. Even your lumbar support power-adjusts four ways, with all of these features available for the front passenger as well. Available heated and ventilated front seats—plus a heated steering wheel and heated rear seats, too—offer rapid yet lasting comfort in a variety of climates and seasons. And while you can't see what's beneath the GLC's stylish wood and supple upholstery, its core components are chosen to make you feel at ease in other important ways. Steam-expanded foams—a process pioneered by Mercedes-Benz—eliminate harsh chemicals, while products from flax, coconut and olives sustainably support numerous cabin elements.



# PUMPING ALUMINUM

*THE GLC CAN TURN ALUMINUM, AIR AND ADVANCED TECHNOLOGY INTO  
NERVES OF STEEL, IRON-PUMPING MUSCLE AND HEART-POUNDING POWER.*

## AN SUV FOR THE DRIVING ENTHUSIAST

The GLC unites a sport-sedan heart with SUV hardiness. Strategic use of aluminum in its body, powertrain and suspension heighten strength and lighten weight. Direct-injected, turbo-boosted torque and a new 9-speed automatic respond eagerly yet efficiently. Standard AGILITY CONTROL® handles corners with ease, while optional new AIR BODY CONTROL—a versatile air suspension—adapts to moods, modes and loads. Standard rear-wheel drive teams superb balance with sporty feel. To pump up your confidence even more, 4MATIC® all-wheel drive can precisely transfer power to the wheels that can use it best.!





# *SAFETY FIRST AND FOR ALL*

*WHEN SECONDS MATTER MOST, SO DO FIRSTS. IT'S WHY MERCEDES-BENZ ENGINEERS KEEP THINKING UP WAYS TO MAKE EVERY CAR AND SUV SAFER.*

Every effort of Mercedes-Benz safety engineers goes toward a singular goal: accident-free driving. They're also keenly aware that achieving this goal only for the vehicles they design would be pointless. The roads can only be safe for someone when they're safe for everyone. The 1951 patent for the first crumple zone is one of more than 88,000 that Mercedes-Benz has earned in the past 130 years. Energy-absorbing front and rear deformation zones flank a reinforced "safety cell" for the passengers. But the idea did more than better protect the occupants of a Mercedes-Benz. It eventually became the way all automobiles are made, thereby helping protect everyone on the road better. Over the decades, countless breakthroughs that were

pioneered under the Three-Pointed Star have gone on to become the safety standards for all automobiles — like the Antilock Braking System (ABS), the Electronic Stability Program (ESP®), emergency-sensing Brake Assist (BAS®), seat-belt Emergency Tensioning Devices (ETDs), and side curtain air bags. Mercedes-Benz also introduced most of these to SUVs, too — along with the 4-wheel Electronic Traction System (4-ETS®). True, you can expect to see some of the groundbreaking advancements of today's Mercedes-Benz on other cars and SUVs a few years down the road. That said, sometimes the future is only a few milliseconds in front of you. And nobody prepares you for it like the engineers who've spent decades thinking about it.

#### **COLLISION PREVENTION ASSIST PLUS**

Radar-based technology alerts you if you're following a vehicle too quickly or too closely. As soon as you start to brake, Adaptive Brake Assist automatically adjusts the braking to an ideal level, to help prevent a collision or reduce its severity. The system can apply the brakes autonomously from speeds up to 65 mph. It can also activate PRE-SAFE®, the predictive system that can tighten the front seat belts and close the windows in the moments before a collision.<sup>2</sup>

#### **ATTENTION ASSIST**

By continuously monitoring as many as 70 parameters of driving behavior, ATTENTION ASSIST<sup>3</sup> can alert you both visually and audibly if it detects signs of driver-drowsiness on long trips. Its enhanced sensitivity helps the system detect drivers who begin their trip drowsy. A display in the gauge cluster can help you track your own attention level and driving time along your journey.<sup>3</sup>

#### **CROSSWIND ASSIST**

Interpreting information that is continually supplied by the vehicle's steering, ESP® and other sensors, Crosswind Assist helps detect the effects of strong side winds on handling stability when driving at highway speeds. Whether it's caused by lateral gusts or even a passing truck, the system helps keep the GLC on course via strategic braking of the wheels on one side of the vehicle, as well as adjustments to the AIR BODY CONTROL air suspension, when so equipped.<sup>1</sup>

#### **ACTIVE LANE KEEPING ASSIST**

By monitoring visible road markings at speeds above 37 mph, Active Lane Keeping Assist helps detect unintended drifting off-course, and alerts you by vibrating the steering wheel. If you continue to drift, it can selectively brake individual wheels to help guide the vehicle back into its lane. It can also help detect and alert you to overtaking vehicles, vehicles you'll need to overtake if you change lanes, and even oncoming traffic that's in the adjacent lane.<sup>2</sup>

#### **ACTIVE BLIND SPOT ASSIST**

When driving above 20 mph, radar technology helps sense when a vehicle enters the blind-spot area on either side of you, and alerts you by illuminating an icon in the side mirror. A warning tone sounds if you activate a turn signal while a vehicle is detected. And if you begin to change lanes, advanced active technology can help guide the vehicle back by applying the brakes on one side.<sup>4</sup>

#### **DISTRONIC PLUS WITH STEERING ASSIST**

Radar-based cruise control adapts your set speed to the flow of traffic ahead, automatically slowing until your path is clear again. If the vehicle ahead slows to a stop, DISTRONIC PLUS<sup>5</sup> can brake to a full halt. When traffic moves, you can resume with just a tap, or automatically if the stop is under a second. A new Steering Assist feature helps the driver keep the vehicle centered in between the lane markings while cruising on straight roads, or even in gentle curves.<sup>5</sup>

#### **PRE-SAFE BRAKE WITH PEDESTRIAN RECOGNITION**

PRE-SAFE<sup>®</sup> Brake can help detect an impending collision and automatically apply up to 100% braking force to help reduce the severity of impact. At speeds up to approximately 35 mph, it can also help detect if pedestrians have entered your path, and apply the brakes automatically.<sup>6</sup> The features are active whether using the cruise control functions of DISTRONIC PLUS or not.

#### **BRAKE ASSIST PLUS WITH CROSS-TRAFFIC ASSIST**

BAS<sup>®</sup> PLUS uses radar sensors to scan the road ahead at driving speeds up to approximately 45 mph. Cross-Traffic Assist uses radar plus advanced cameras to help detect a potential collision with vehicles approaching from either side of an intersection ahead, or with pedestrians in the vehicle's path. When the driver responds to the system's alert by braking, Brake Assist PLUS precisely applies the maximum braking force required to help prevent such an accident.<sup>6</sup>

# *BACKUP FROM THE FUTURE*

---

*SEEING THE FUTURE ISN'T NEARLY AS IMPORTANT AS PREDICTING YOURS – ESPECIALLY THE PART THAT'S JUST SECONDS AHEAD. WITH INTELLIGENT DRIVE, A 360° NETWORK OF CAMERAS, RADAR AND OTHER SENSORS CAN SEE MORE THAN THE HUMAN EYE, TO HELP YOU GET OUT OF DANGER BEFORE YOU'RE IN IT.*

---





# NATURAL SYNTHESIS

TRUE INNOVATION IS MAKING HIGH TECH FEEL LIKE HUMAN NATURE.

## COMPOSURE AND COMPOSITION

The GLC cockpit is engineered to impart a sense of oneness—for all of your senses. Visual and tactile cues, logical functions and emotional rewards are delivered with symphonic clarity. So whether you're adjusting one of its elegant air vents or handwriting a navigation address<sup>7</sup> on its touchpad, you feel connected. Crisp analog gauges and vivid digital screens keep you informed. And with the Web-based apps of Mercedes-Benz mbrace,<sup>®</sup> the GLC links you to your world.<sup>8</sup>



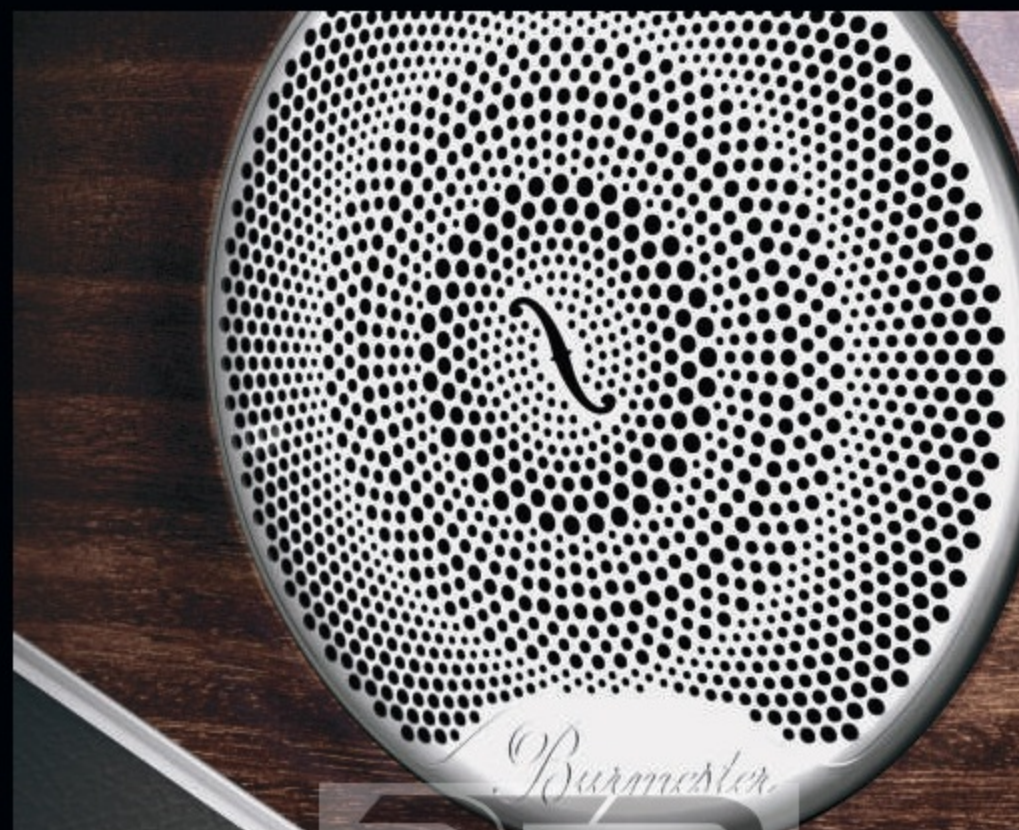
Please see endnotes at back of brochure.

*FROM ITS HAND-POLISHED WOOD TO ITS FINGERTIP-CONTROLLED TOUCHPAD, EVERY SURFACE OF THE GLC CABIN REFLECTS SOMETHING DEEPER: A CHERISHED TRADITION OF CARING CRAFTSMANSHIP, AND AN EVER-ADVANCING DEVOTION TO THOUGHTFUL INNOVATION.*

## *SURFACES AND DEPTH*

### **ENGAGEMENT OF THE SENSES**

The GLC cockpit appeals to your senses—not just one-by-one, but as they relate to one another. Note how your hand falls naturally to the touchpad controller, while your eyes easily scan the results on the high-mounted displays. Together they bring you a world of entertainment, information and personalized vehicle settings. Tablet-style gestures let you swipe, pinch-to-zoom, or even write with your finger. Nearby, a few taps of the GLC's DYNAMIC SELECT button alters its driving feel—from sharper handling, to relaxed comfort, to peak efficiency. You can even create a mode all your own. Burmester®—Germany's renowned crafter of high-end home audio—has developed a 590-watt, 9-channel surround sound system. With 13 high-end speakers and exquisite metal grilles, it's a rich fusion of sight and sound. And with the Air Balance Package, you can filter the cabin air, ionize it, and infuse it with subtle aromatherapy.



WITH MORE CUBIC FEET AND MORE ROOM FOR YOUR FEET, THE FLEXIBLE CARGO AREA AND REFINED REAR CABIN OF THE GLC INVITE YOU TO TAKE IT ALL IN.

## INWARD AND UPWARD



Considering how eagerly the GLC lives up to the “sport” part of “SUV,” you might be surprised how brilliantly it does utility, too. The wide rear doors welcome three passengers into a roomy and refined seating area. In addition to a center armrest with cupholders, the seat’s 40/20/40-split folding design can make way for long, narrow cargo while two adults ride in comfort.<sup>9</sup> Remote controls near each rear door lower the seatbacks with a touch. The power liftgate opens and closes just as easily—or with no touch at all: available HANDS-FREE ACCESS does it with a gentle foot motion under the rear bumper. With the seats down, the GLC can take on 56.5 cu ft of cargo. Seats up, the sky’s the limit, thanks to the heat-rejecting glass of the power tilt/sliding Panorama roof. And in addition to its own sunshade, available rear-side window screens offer added shade and privacy, too.



# TOGETHER WHEREVER

IT'S PERFECTLY NATURAL TO DEVELOP AN EMOTIONAL ATTACHMENT TO YOUR MERCEDES-BENZ. WITH MBRACE, ENJOYING A TECHNOLOGICAL CONNECTION IS JUST AS EASY.

With Mercedes-Benz mbrace®, your car is only a click away. Five years of mbrace Connect benefits and services<sup>8</sup> come standard with every new 2016 Mercedes-Benz, providing you with remote access to your vehicle from your smartphone or computer. With the mbrace Mobile App,<sup>10</sup> you can start your car's engine, lock its doors and more. You can access Google and Yelp from your car with an ever-evolving variety of in-vehicle apps. You can send destinations to your car's available COMAND® navigation system from your computer or phone. Even your car can reach out, with remote diagnostics and a direct connection to Mercedes-Benz Roadside Assistance.<sup>11</sup> Three additional packages bring you even more connections—from added safety and security, to a personal concierge, to streaming music and in-car WiFi for you and your friends. With mbrace, your Mercedes-Benz helps you stay connected not just to your car, but to your world—from anywhere you are, and wherever tomorrow takes you.

## mbrace Connect

5 years included

*State-of-the-art convenience with remote vehicle access, in-vehicle apps and over-the-air updates*

### Package includes:

- mbrace Mobile App for Android or iPhone
- Remote Start, remote lock/unlock and more via Mobile App
- Access to mbrace Web services at mbrace.MBUSA.com
- Remote diagnostics with direct dealer connection
- Over-the-air updates of many mbrace features and apps
- An evolving selection of Mercedes-Benz Apps, such as:
  - Google™ Local Search
  - Yelp
  - Fuel station finder with prices
  - Weather reports locally and around the world
  - Airport flight status
  - Local movie theater showtimes
- Valet Protect
- Viewable traffic cams in many metro markets

## mbrace Concierge

3-month trial included  
Requires mbrace Secure

*Personal assistance from highly knowledgeable professionals with access to a world of resources*

### Package includes:

- Personal concierges to help you stay more productive on the road, or from the Mobile App on your smartphone
- Expert recommendations and reservations for dining out, and for tickets to events
- Turn-by-turn directions from a live assistant or sent to your car
- Travel assistance, including reservations and changes for hotels, airlines and car rentals
- Answers to most any question, help with most any request

## mbrace Secure

6-month trial included  
Requires mbrace Connect

*Added peace of mind from safety and security features for you, your family, and your vehicle*

### Package includes:

- Automatic Collision Notification
- Emergency calling from your car's SOS button or the Mobile App
- Automatic Alarm Notification
- Stolen vehicle location assistance
- Agent-assisted remote locking and unlocking
- Dealer connect

## mbrace Entertain

3-month trial included  
Requires mbrace Secure

*Online, on-the-road enjoyment from streaming entertainment to maps, along with in-car WiFi*

### Package includes:

- Streaming audio and data via widely available 3G coverage
- In-car WiFi with secure connection of up to four devices
- Online maps, powered by Google
- A selection of streaming audio apps, including:
  - TuneIn® radio
  - iHeartRadio®
  - Mercedes-Benz Radio

*WiFi and online maps require Multimedia Pkg.*

Mercedes me is a new online destination for Mercedes-Benz drivers, where you can access vehicle info, get more from your mbrace features, learn more about your car, and follow the exciting world of Mercedes-Benz. Take a tour at [MBUSA.com/me](http://MBUSA.com/me)



## CAR IN YOUR POCKET

The mbrace Mobile App on your iPhone or Android phone includes a number of convenient remote vehicle controls. A new Remote Start feature lets you start the engine from your smartphone, to give the climate control a head start before you even leave the house. By the time you enter your car, the cabin can be preconditioned for your comfort.



## OUR WORLD IS YOURS

The online world of Mercedes-Benz is one of many ways you can enjoy being part of the family. You can keep up to date with news and events, or take in an entertaining film. You can get more from your vehicle with helpful tutorial videos and downloadable manuals. And you can check out photos from other Mercedes-Benz drivers and fans, and best of all, share yours as well.



# BUILD YOUR OWN

MBUSA.com/GLC

## KEY STANDARD FEATURES

Specifications	GLC 300
<b>Engine</b>	Type 2.0-liter turbo Direct Injection gasoline inline-4
	Power 241 hp @ 5,500 rpm
	Torque 273 lb-ft @ 1,300-4,000 rpm
<b>Transmission</b>	9-speed automatic with shift paddles
<b>Acceleration, 0-60 mph<sup>12</sup></b>	6.3 sec
<b>Wheels</b>	18" 5-spoke w/all-season Extended Mobility tires <sup>13</sup>
<b>Suspension</b>	4-wheel multilink w/AGILITY CONTROL <sup>®</sup>
<b>Drivetrain</b>	Rear-wheel drive or 4MATIC <sup>®</sup> all-wheel drive

Dimensions	GLC 300
<b>Wheelbase</b>	113.1"
<b>Overall length</b>	183.3"
<b>Overall height</b>	64.5" (w/roof rails)
<b>Overall width</b>	82.5" (w/mirrors)
<b>Curb weight</b>	3,891 lbs / 4MATIC: 4,001 lbs
<b>Headroom</b> (front/rear)	37.8" / 38.5"
<b>Legroom</b> (front/rear)	40.8" / 37.3"
<b>Shoulder room</b> (front/rear)	57.3" / 56.5"
<b>Cargo capacity</b>	Behind rear seat <sup>14</sup> 19.4 cu ft
	Rear seats folded <sup>14</sup> 56.5 cu ft

### Performance and efficiency

ECO Start/Stop system  
DYNAMIC SELECT

### Safety and security

COLLISION PREVENTION ASSIST PLUS  
ATTENTION ASSIST<sup>®</sup>  
PRE-SAFE<sup>®</sup>

Electronic Stability Program (ESP<sup>®</sup>)  
Adaptive braking technology: Predictive Brake Priming, Automatic Brake Drying, Hill-Start Assist, and Brake HOLD feature  
Emergency-sensing Brake Assist (BAS<sup>®</sup>)  
Advanced Tire Pressure Monitoring System

Crosswind Assist  
Trailer Stability Assist  
Rearview camera<sup>15</sup>

9-way air bag protection

LED Daytime Running Lamps  
Partial-LED taillamps

SmartKey remote locking w/KEYLESS-START  
Power liftgate  
Antitheft alarm system w/remote panic feature

### Comfort and convenience

Power driver seat w/3-position memory  
40/20/40-split folding rear seats w/power fold-down

Power tilt/telescoping steering column  
Multifunction steering wheel w/Nappa leather trim

Dual-zone digital automatic climate control  
Amber ambient cabin lighting  
Front and rear cupholders

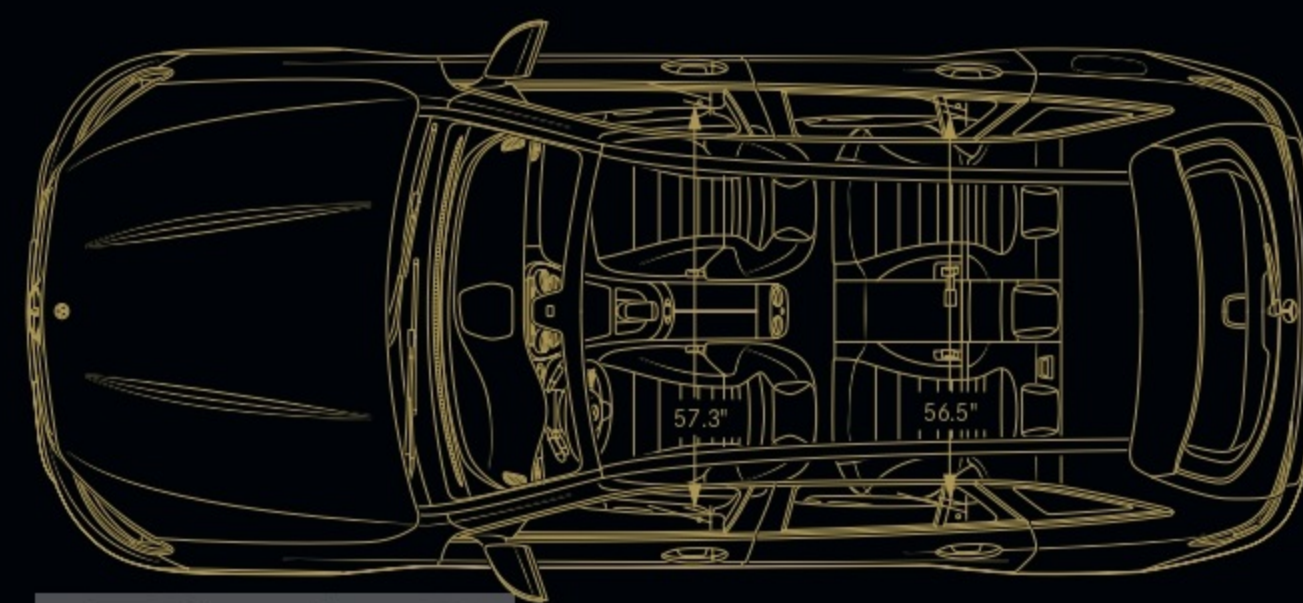
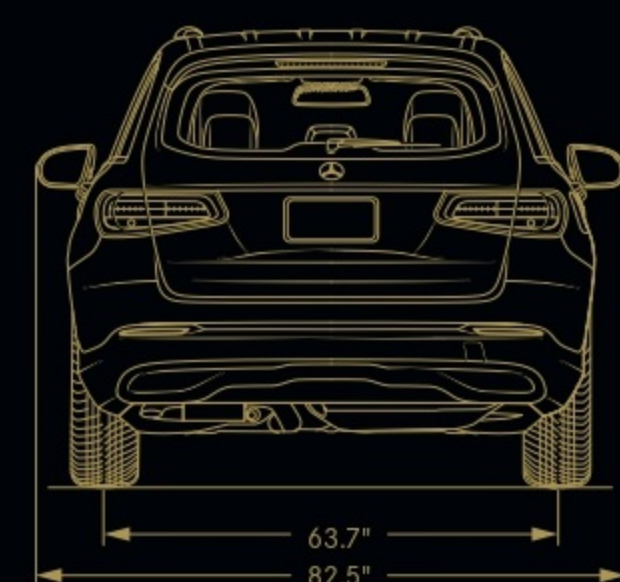
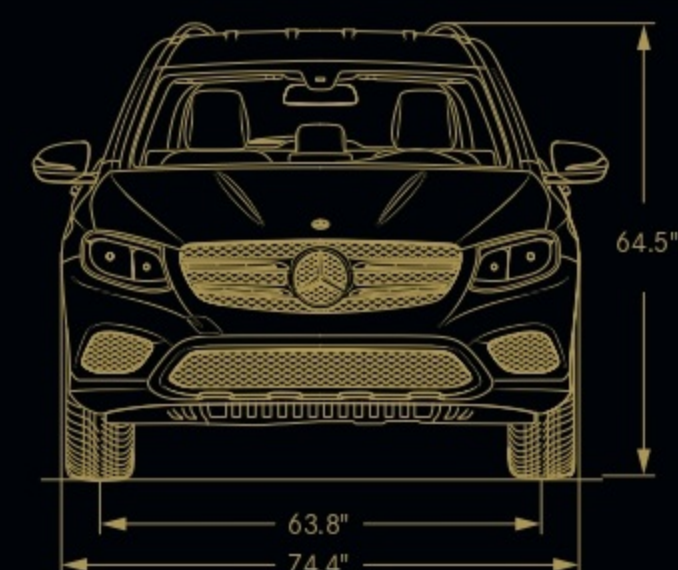
Rain-sensing windshield wipers, rear-window wiper w/auto-on in Reverse  
Integrated garage-door opener  
Power-folding side mirrors, auto-dimming driver-side and inside rearview mirrors

### Entertainment and navigation

7" freestanding high-resolution central screen  
Touchpad central controller  
High-resolution color multifunction display

FrontBass<sup>®</sup> system  
Bluetooth<sup>®</sup> audio streaming, hands-free Bluetooth interface  
Dual USB ports  
HD Radio<sup>™</sup> receiver

Mercedes-Benz mbrace<sup>®</sup>  
5 years of mbrace Connect services<sup>8</sup>



### Option Packages

#### Premium Package

- Blind Spot Assist<sup>4</sup>
- KEYLESS-GO<sup>®</sup>
- Heated front seats
- SiriusXM Radio with 6-month All Access trial<sup>16</sup>
- Household-type 115-volt AC power outlet

#### Multimedia Package *Requires Premium Pkg. or SiriusXM Radio*

- 8.4" high-resolution central screen
- COMAND<sup>®</sup> hard-drive navigation<sup>7</sup>
- No-charge navigation map updates for 3 years
- 5 years of SiriusXM Traffic and Weather service<sup>16</sup>
- In-dash DVD/CD player and SD card reader
- Voice control with learning feature for audio, phone and navigation

#### Interior Package *Requires Premium Pkg.*

- Leather upholstery
- Topstitched MB-Tex upper dash and door trim
- Ventilated front seats
- Illuminated front door sills
- Multicolor LED ambient lighting
- Cargo net, collapsible cargo crate, and telescoping aluminum cargo bars<sup>9</sup>

#### Air Balance Package

- Cabin-air purification system with ionizer
- Cabin-air fragrance system

### Option Packages *continued*

#### Sport Package

- AMG body styling
- 19" AMG<sup>®</sup> twin 5-spoke wheels (Grey)
- Perforated front brakes with painted calipers
- Topstitched MB-Tex upper dash and door trim

#### Night Package *Requires Sport Pkg.*

- Gloss Black exterior accents
- 19" AMG twin 5-spoke wheels (Black)

#### Lighting Package

- Active full-LED headlamps
- Adaptive Highbeam Assist

#### Advanced Parking Assist Package

- PARKTRONIC with Active Parking Assist
- Surround View System<sup>15</sup>
- HANDS-FREE ACCESS

#### Driver Assistance Package

- DISTRONIC PLUS<sup>®</sup> with Steering Assist<sup>5</sup>
- PRE-SAFE<sup>®</sup> Brake with Pedestrian Recognition
- BAS<sup>®</sup> PLUS with Cross-Traffic Assist
- PRE-SAFE PLUS rear-end collision protection
- Active Blind Spot Assist<sup>4</sup>
- Active Lane Keeping Assist<sup>3</sup>
- Speed Limit Assist *Requires Multimedia Pkg.*

## OPTIONAL EQUIPMENT

### Individual options

4MATIC<sup>®</sup> all-wheel drive  
AIR BODY CONTROL air suspension with 4-wheel level control and cargo-loading mode  
Blind Spot Assist<sup>4</sup> *Also in Premium Pkg.*  
Trailer hitch<sup>17</sup> *N/A w/Advanced Parking Assist Pkg.*

Panorama roof  
Brushed aluminum running boards

Power front passenger seat with memory  
Heated front seats *Also in Premium Pkg.*  
Heated rear seats *Requires heated front seats*  
Heated steering wheel  
Rear-side window sunshades

Head-Up Display<sup>18</sup>  
SiriusXM Radio with 6-month All Access trial<sup>16</sup>  
Burmester<sup>®</sup> Premium Surround Sound System

19" 5-spoke wheels *N/A w/Sport Pkg.*  
20" AMG multispoke wheels (Black)  
*Includes high-performance tires; requires Night Pkg.*

Linden wood trim *No charge*  
Burl Walnut wood trim *No charge*  
Natural Grain Black Ash wood trim

*designo* Exclusive Nappa leather upholstery  
*Requires Interior Pkg.*

Metallic or *designo* paintwork



# COLOR AND TRIM

● Standard ○ Optional ▲ No-charge option

## UPHOLSTERY STYLES



MB-Tex  
● GLC300



Leather  
○ GLC300 *Interior Pkg.*

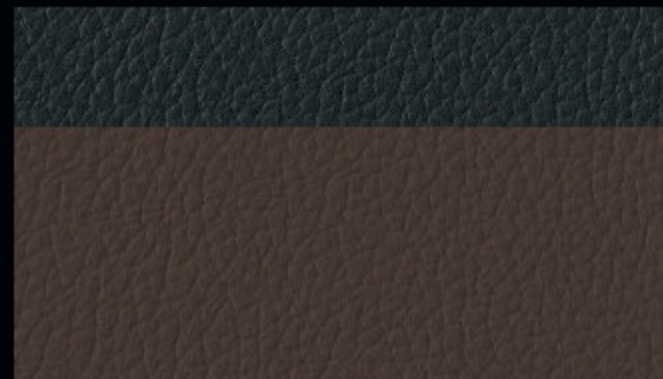


*designo* Exclusive Nappa leather  
○ GLC300 *Requires Interior Pkg.*

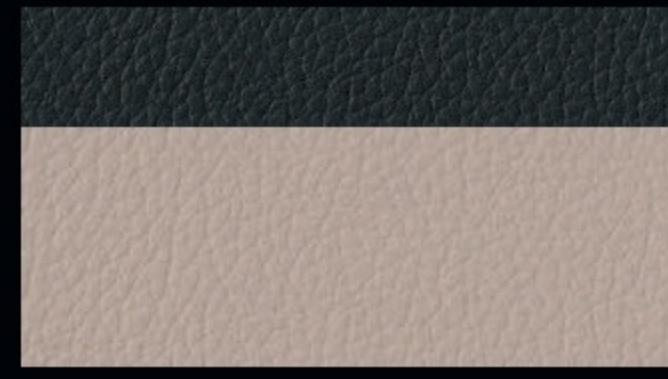
## UPHOLSTERY COLORS



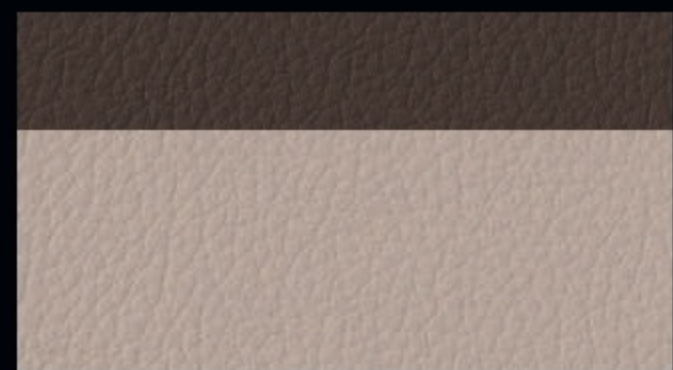
Black  
MB-Tex or leather



Espresso Brown/Black  
MB-Tex or leather



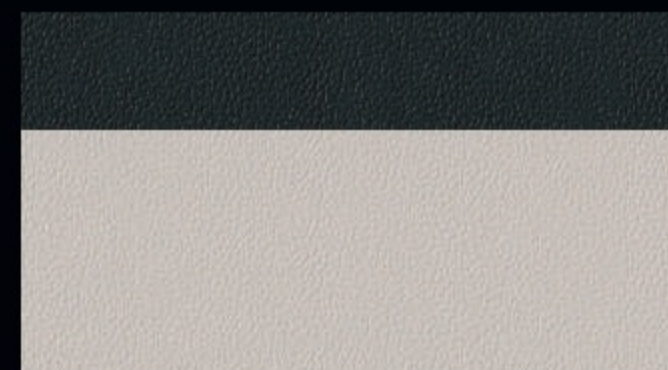
Silk Beige/Black  
MB-Tex



Silk Beige/Espresso Brown  
Leather

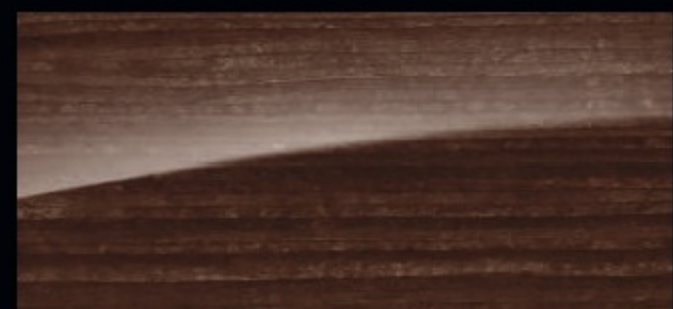


Black/Black  
*designo* Exclusive Nappa leather  
*Requires Linden wood trim*



Platinum White/Black  
*designo* Exclusive Nappa leather  
*Requires Natural Grain Black Ash wood trim*

## INTERIOR TRIM



Linden wood  
● GLC300



Burl Walnut wood  
▲ GLC300

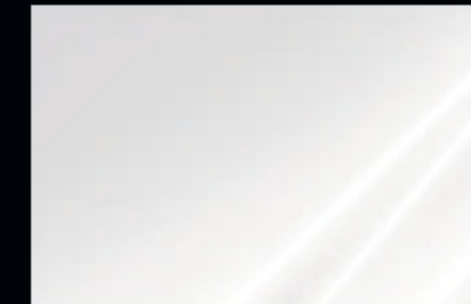


Natural Grain Black Ash wood  
○ GLC300

## PAINTWORK



Black



Polar White



Dakota Brown metallic



Diamond Silver metallic



Iridium Silver metallic



Lunar Blue metallic



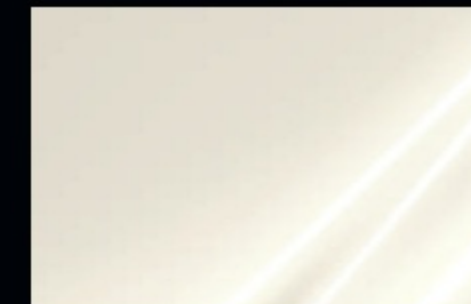
Obsidian Black metallic



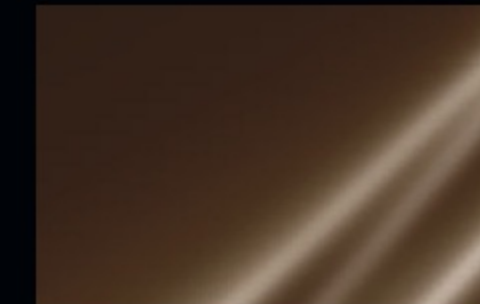
Selenite Grey metallic



*designo* Cardinal Red metallic



*designo* Diamond White metallic



*designo* Magno Dakota Brown metallic

## WHEEL CHOICES



18" 5-spoke<sup>13</sup>  
● GLC300



19" 5-spoke<sup>13</sup>  
○ GLC300



19" AMG<sup>®</sup> twin 5-spoke<sup>13</sup> (Grey)  
○ GLC300 *Sport Pkg.*



19" AMG twin 5-spoke<sup>13</sup> (Black)  
○ GLC300 *Night Pkg.*



20" AMG multispoke<sup>13</sup> (Black)  
○ GLC300 *Requires Night Pkg.*





Mercedes-Benz

Mercedes-Benz

## ACCESSORIES

*Selected items shown*

Roof rack basic carrier

Mercedes-Benz Roof Box *Requires basic carrier*

Ski/snowboard and bicycle racks *Requires basic carrier*

Illuminated Star *N/A w/Driver Assistance Pkg.*

Illuminated front door sills

Clip-on iPad® docking station

Folding table *Requires base support; other attachments also available*

Cargo area tray

Cargo box

DEALER E-PROCESS

©2015 Mercedes-Benz USA, LLC • 303 Perimeter Center North, Atlanta, GA 30346 • 1-800-FOR-MERCEDES • MBUSA.com

Marketing Communications. All illustrations and specifications contained in this brochure are based on the latest product information available at the time of publication. Mercedes-Benz reserves the right to make changes at any time, without notice, to colors, materials, equipment, specifications and models. Any variations in colors shown are due to reproduction variations of the printing process. Illustrations may include test situations. Some vehicles may be shown with non-U.S. equipment. Some vehicles are shown with optional equipment. iPad, iPhone, iPod and Safari are registered trademarks or service marks of Apple Inc. Bluetooth is a registered trademark of Bluetooth SIG, Inc. Burmester is a registered trademark of Burmester Audiosysteme GmbH, Berlin, Germany. Android, Chrome and Google Maps are registered trademarks of Google Inc. HD Radio is a proprietary trademark of iBiquity Digital Corporation. Sirius, XM and all related marks and logos are trademarks of Sirius XM Radio Inc. TuneIn is a registered service mark of TuneIn, Inc. Twitter is a registered trademark of Twitter, Inc. Yelp is a registered trademark of Yelp Inc.

## ENDNOTES

- 4MATIC is optional at extra cost. No system, regardless of how advanced, can overcome the laws of physics or correct careless driving. Please always wear your seat belt. Performance is limited by available traction, which snow, ice and other conditions can affect. Always drive carefully, consistent with conditions. Best performance in snow is obtained with winter tires.
- COLLISION PREVENTION ASSIST PLUS may not be sufficient to avoid an accident. It does not react to certain stationary objects, nor recognize or predict the curvature and/or lane layout of the road or every movement of vehicles ahead. It is the driver's responsibility at all times to be attentive to traffic and road conditions, and to provide the steering, braking and other driving inputs necessary to retain control of the vehicle. Drivers are cautioned not to wait for the system's alerts before braking, as that may not afford sufficient time and distance to brake safely. Autonomous braking is available at speeds between approximately 5 and 65 mph for moving vehicles, or 5 and 31 mph for stationary objects.
- Driving while drowsy or distracted is dangerous and must be avoided. ATTENTION ASSIST® and/or Lane Keeping Assist may be insufficient to alert a fatigued or distracted driver of lane drift and cannot be relied on to avoid an accident or serious injury. Lane Keeping Assist operates at speeds above approximately 37 mph.
- Blind Spot Assist may not be sufficient to avoid all accidents involving vehicles in your blind spot and does not estimate the speed of approaching vehicles. It must not be used as a sole substitute for driver awareness and checking of surrounding traffic conditions. Blind Spot Assist operates at speeds above approximately 20 mph.
- DISTRONIC PLUS® adaptive cruise control is no substitute for active driving involvement. It does not adapt cruising speed in response to stationary objects, nor does it predict the curvature and lane layout of the road ahead or the movement of vehicles ahead. It is the driver's responsibility at all times to be attentive to traffic and road conditions, and to provide the steering, braking and other driving inputs necessary to retain control of the vehicle. Drivers are cautioned not to wait for the DISTRONIC Proximity Warning System before braking, as that may not afford sufficient time and distance to brake safely.
- Braking effectiveness also depends on proper brake maintenance, and tire and road conditions.
- Navigation is optional at extra cost. While the navigation system provides directional assistance, the driver must remain focused on safe driving behavior, including paying attention to traffic and street signs. The driver should utilize the system's audio cues while driving and should only consult the map or visual displays once the vehicle has been stopped in a safe place. Maps do not cover all areas or all routes within an area.
- All Mercedes-Benz mbrace® services operate only where cellular and Global Positioning System satellite signals are available, which are provided by third parties and not within the control of Mercedes-Benz USA, LLC. Five years of the mbrace Connect package are included with new-vehicle sales and leases at an authorized Mercedes-Benz dealer. Subscriber Agreement is required for service to be active. Some services are only available on select vehicles. Your PIN is required in order to use certain services. Some services may be limited or restricted in some areas. Apps may be introduced and updated at varying dates, and may also require a vehicle software update. Driver is responsible for complying with traffic and other laws. See your dealer or MBUSA.com/mbrace for details, including a list of compatible smartphones. Streaming Internet-based features require an active subscription to the mbrace Entertain Package. Connection may be limited by cellular signal.
- Unsecured cargo can become hazardous in a collision. Always secure cargo using the floor-mounted tie-downs.
- The mbrace Mobile App is compatible with Apple iPhone® models running iOS 7.0 or later, and Android-based phones running OS 2.3 or later. Visit MBUSA.com/mbrace for more information.
- Roadside Assistance repairs may involve charges for parts, service and towing. Vehicle must be accessible from main roads. Depending on the circumstance, these services may be provided by an outside provider, courtesy of Mercedes-Benz Roadside Assistance. Restricted roadways, acts of nature and vehicle accessibility may limit our ability to provide services to you. For full details, eligibility requirements, and limitations/exclusions of Sign and Drive services, as well as the Roadside Assistance Program, please see your dealer.
- Stated rates of acceleration are estimated based upon manufacturer's track results and may vary depending on model, environmental and road surface conditions, driving style, elevation and vehicle load.
- GLC models are equipped with Extended Mobility tires, and are not provided with a spare tire. High-performance Extended Mobility tires are included with 20" wheels.
- Floor-to-ceiling.
- Rearview camera and Surround View System do not audibly notify driver of nearby objects and are not a substitute for actively checking around the vehicle for any obstacles or people. Images displayed may be limited by camera field of view, weather, lighting conditions and the presence of dirt, ice or snow on the cameras.
- The purchase or lease of a new, satellite radio-enabled vehicle includes a 6-month introductory subscription to the Sirius All Access package, as well as a 5-year introductory subscription to SiriusXM Traffic and SiriusXM Weather when equipped with the Multimedia Package. SiriusXM Traffic and Weather services are available for select markets. SiriusXM Satellite Radio, SiriusXM Traffic and SiriusXM Weather subscriptions are sold separately or as a package after trial period. If you decide to continue your subscription after your trial, the plan you choose will automatically renew and you will be charged according to your chosen payment method at then-current rates. Fees and taxes apply. To cancel you must call SiriusXM at 1-866-635-2349. See SiriusXM Customer Agreement for complete terms at siriusxm.com. All fees and programming subject to change.
- Read Operator's Manual before towing. In some states, aftermarket trailer brakes are required. See dealer for details.
- Head-Up Display may not be visible with certain eyewear, including polarized glasses.



The personal rewards of striving to be the best are even more meaningful in the development of young people than they are for automobiles. Instilling the values of leadership, goal-setting, discipline and teamwork in youth is an investment in everyone's future. It's why Mercedes-Benz USA is collaborating with the Laureus Sport for Good Foundation, with an ongoing commitment to train and place hundreds of coaches for after-school and in-school sports programs in communities around the country. Sports offer kids more than the chance to be physically active and have fun. It's also an opportunity to have a mentor who can guide them, help them learn how to deal with major life issues, and help them grow stronger not just physically but in their character. As a Mercedes-Benz driver, you become a part of this effort to give hundreds of thousands of kids a better life today, and all of us a brighter tomorrow.

Learn more about how Mercedes-Benz USA believes in giving back at [MBUSA.com/community](http://MBUSA.com/community)

